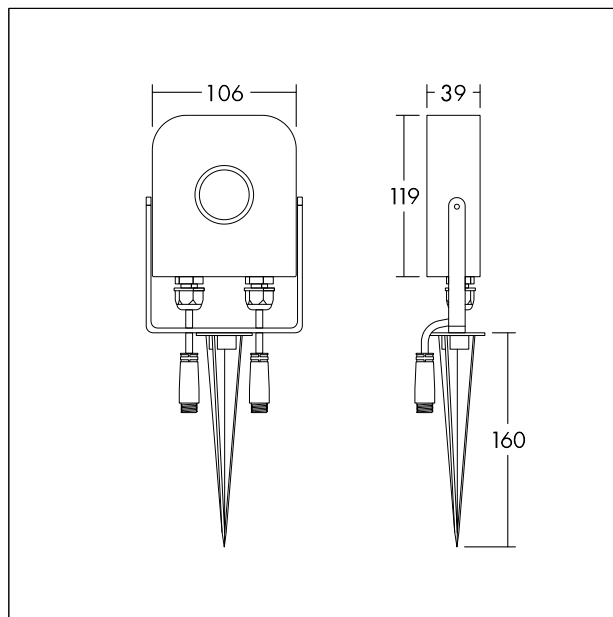


Sensor

IP65 Daylight Sensor with earth spike (aluminium die cast). Also suitable for wall-mounting. Ambient temperature -20°C up to +40°C. Compatible with THORNeco cable system. Integration to external systems by included open leads adapters. Switching load: max. 200W. Pre-wired with 20 cm cable (H07RN-F 3G1,5 mm²) and connector for fast installation. Dimensions: 295 x 106 x 39 mm, weight: 0.36 kg.



TE_ECOnnect_F_SENSOR_complete_persp.jpg



TE_ACC_M_SENSOR.wmf