

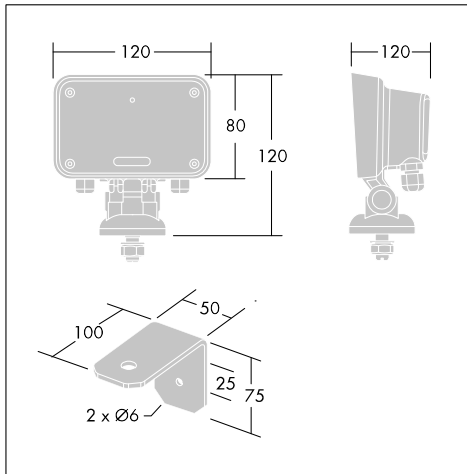
MovU Vehicle Radar

A high performance vehicle radar detecting vehicles to maximise energy savings and safety for low traffic roads

- Complete solution for road lighting comprising a Doppler radar, a mounting bracket and a high performance street lantern
- A proven solution used for several years on traffic lights
- Highly sensitive radar detects vehicles from up to 150m
- Discreet and easy to mount on any pole regardless of the diameter and height



Photographs, line drawings and photometric data are representative only. For specific product detail please select an individual product.



Material/Finish

Radar: black PC

Bracket: aluminium powder coated painted black

Installation/Mounting

Radar to be fixed on the dedicated bracket (delivered in the same box) with a M8 screw. Bracket to be fixed at 3 to 5m high on a pole with 2 stainless steel screws M6. Other hole of 15 mm for cable needed in the column. Pre-cabled with 5m CSA 4x1mm² connection with lantern at the bottom of the pole. The radar has a relatively wide field of view allowing good vehicle detection coverage of single or dual lane approaches.

Specification

To specify state:

IP65 radar with fixation bracket mounted at 3 to 5m high on any hollow column, to be combined with IP66 LED luminaires programmed in a corridor mode to detect vehicles above 4km/h at 150m distance max. Compatible with pilot wire, RF or PL installations.

As Thorn MovU Vehicle Radar.

MovU Vehicle Radar

Ordering Guide

Description	ILCOS Code	Socket	Wt (kg)	SAP Code
MovU Vehicle Radar accessory				
MOVU VEHICLE RADAR MAX150M 120KM/H 230V			0,92	96268881