

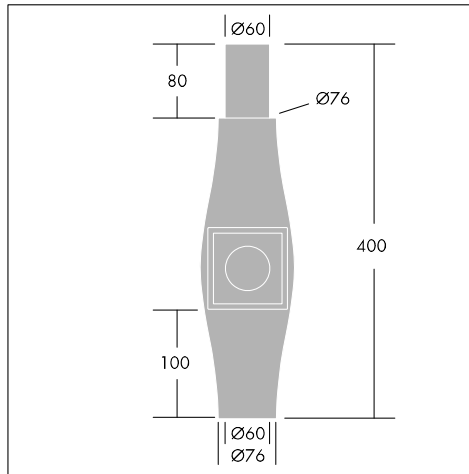
MovU PIR Post Top

High performance PIR motion detection for pedestrians, cyclists and slow cars to maximise energy savings and safety

- Combined with an LED luminaire dimmed to 20%, when motion is detected, the luminaire switches to 100%, ensuring maximum security
- Highly sensitive infrared sensor detects the invisible heat emitted from moving objects up to 20m
- Easy to mount and orientate on 60mm poles up to 4m high
- Proven technology implemented on numerous projects over several years



Photographs, line drawings and photometric data are representative only. For specific product detail please select an individual product.



Material/Finish

Sensor: die cast aluminium (AS 13) housing (EN AC-44300), powder coated in silver grey with any RAL colour on request. Standard corrosion class C5 according to ISO 9223: 2012.
Decorative coordinated column (France) : galvanised steel painted in light grey.

Installation/Mounting

To be post top mounted at 3 to 4m high on a pole x 100mm, external spigot (with luminaire): 60mm x 80mm. Compatible with all LED luminaires with spigot height <85mm (position of the fixation screws). Pre-cabled with 4m CSA 4x1mm², connection with lantern at the bottom of the pole. In a master/slave new installation (pilot line or RF), we recommend the use of two pole heights to maintain the same height between lighting points. The column of the slave should be 400mm higher than the master. For existing installations, be aware that the master will be 400mm higher than the slaves, which is perceivable when spacings are below 20m. Coordinated decorative columns exist as standard.

Specification

To specify state:

Outdoor PIR device to be post top mounted on a 3 or 4m column with a 60mm spigot. Orientable in any direction combined with IP66 LED luminaires programmed in a corridor mode to detect pedestrians, cyclists or slow cars below 30km/h at 4 to 20m.

As Thorn MovU PIR Post Top.

MovU PIR Post Top

Ordering Guide For a complete solution please order the MovU PIR MTP accessory, a coordinated luminaire and coordinated column

Description	ILCOS Code	Socket	Wt (kg)	SAP Code
MovU PIR Post Top accessory				
MOVU PIR MTP MAX8-20M 30KM/H W4M ANT			3,96	96271014
MOVU PIR MTP MAX8-20M 30KM/H W4M GRY			3,96	96270755
MovU PIR Post Top coordinated luminaires				
AVN F2 LED 18L70 WST CL2 COR W5M L740	LED		9,3	96270758
AVN F2 LED 18L70 R/S CL2 COR W5M L740	LED		9	96270761
ISARO 36L70 NR EFL 740 CL2 COR MTP60 8M	LED		5,4	96270765
ISARO 36L70 NR EFL 740 CL1 COR MTP60 8M	LED		5,5	96270766