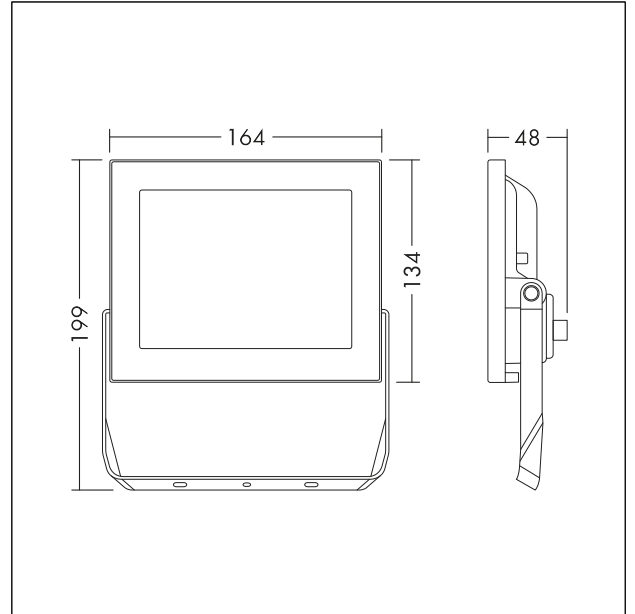


LED Floodlight

LED Floodlight with symmetric light distribution and FLEX technology, IP65, for outdoor applications. Total luminous flux: 2000 lm, Luminaire input power: 16 W, Luminaire efficacy: 125 lm/W. Colour rendering Ra > 80, colour temperature 3000/3500/4000 K adjustable via switch for 3000K, 3500K or 4000K. Lifetime: 50.000hrs @L80, Chromaticity tolerance (initial MacAdam): 5. 5 Years Guarante, Impact strength: IK08. FLEX technology allows to adjust the input power on site by 3 steps (FLEX1: 2000 lm (16W), FLEX2: 1500 lm (11W), FLEX3: 1000 lm (7W)). For flex data on other colour temperatures please visit website. Dimensions: 164 x 199 x 48 mm, weight: 0.7 kg.



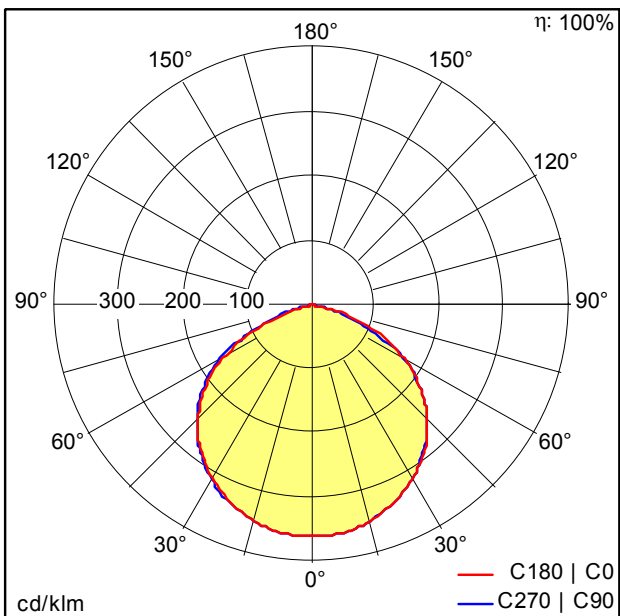
TE_LEONIEVARIOFLEX_F_16W_FRONT.jpg



TE_LEONIEVARIOFLEX_M_S.wmf

Light Distribution

STD - standard



TE_LEONIE_VARIOFLEX_16W_840_FLEX1.Idt

- Light Source: LED
- Luminaire luminous flux*: 2000 lm
- Luminaire efficacy*: 125 lm/W
- Colour Rendering Index min.: 80
- Correlated colour temperature*: 3000-4000 Kelvin
- Chromaticity tolerance (initial MacAdam): 5
- Rated median useful life*: L80 50000h at 25°C
- Ballast: 1x LED_Con
- Luminaire input power*: 16 W Power factor = 0.9
- Dimming: Fixed output
- Maintenance category CIE 97: E - Dust-proof IP5X
- Total harmonic distortion (THD): 15.00 %

This product contains a light source of energy efficiency class D.

All values marked with an * are rated values. Connected electrical load and luminous flux are subject to an initial tolerance of +/- 10%, the most similar colour temperature is subject to an initial tolerance of +/- 150K. Unless stated otherwise, the values apply to an ambient temperature of 25°C.