

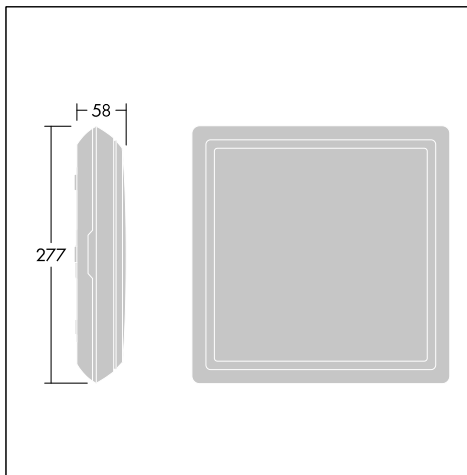
Voyager Square

Strong, smooth and highly protected

- IP 65 - protection against dust & water, making it an ideal fitting for indoor and outdoor applications
- IK 10 impact strength: resists impacts of up to 20 joules ensuring a high level of protection against mechanical shocks
- Clean, smooth aesthetic design reduces dust and dirt accumulation and ensures easy cleaning and lowest maintenance requirements
- Easy installation saving time and money
- Self-contained emergency luminaires rely on long-lasting batteries. The high-tech lithium iron phosphate battery used is robust and comes with a three-year guarantee, giving users peace of mind.
- With a recognition range of 44 metres, and a luminance level > 500 cd/m² in the white area and > 200 cd/m² on average (acc. to DIN 4844), the luminaire fulfills the highest illumination standards and is clearly visible also in demanding environments.



Photographs, line drawings and photometric data are representative only. For specific product detail please select an individual product.



Material/Finish

Body and bezel: polycarbonate, white
 Diffuser: polycarbonate, white, diffuse
 Screws: steel, zinc plated
 Silicone and halogen free

Installation/Mounting

Wall mounted luminaire. Loop-in, loop-out possible for cables up to 2.5mm². BESA compatible.

Specification

To specify state:

Wall-mounted safety sign luminaire with 44 metres recognition range, IP65 protection and IK10 impact strength. Available as self-contained versions (E1D, E3D) with durable Lithium iron phosphate batteries (3 years guarantee on the batteries), and as central battery versions (ECD, ECP, ECC).

Cover with glued-on pictogram included, optionally with arrow up, down, left or right. Best visibility thanks to high luminance levels (>500cd/m² in white area in mains mode acc. to DIN 4844).

Easy cleanability thanks to smooth design & round edges (Food certificate available for areas with fully-packaged food).

As Thorn Voyager Square

Voyager Square

Ordering Guide

Description	ILCOS Code	Socket	Wt (kg)	SAP Code
Voyager Square				
Voy Square 220 P MSW E1D WH SP1-E002-UP	LED		1,15	96635037
Voy Square 220 P MSW E3D WH SP1-E002-UP	LED		1,15	96635038
Voy Square 220 P MSW ECD WH SP1-E002-UP	LED		0,85	96635039
Voy Square 220 P MSW ECP WH SP1-E002-UP	LED		0,85	96635040
Voy Square 220 P MSW ECC WH SP1-E002-UP	LED		0,85	96635053
Voy Square 220 P MSW E1D WH SP1-E002-D	LED		1,15	96635064
Voy Square 220 P MSW E1D WH SP1-E002-R	LED		1,15	96635065
Voy Square 220 P MSW E3D WH SP1-E002-R	LED		1,15	96635066
Voy Square 220 P MSW E1D WH SP1-E001-L	LED		1,15	96635067
Voy Square 220 P MSW E3D WH SP1-E002-D	LED		1,15	96635068
Voy Square 220 P MSW E3D WH SP1-E001-L	LED		1,15	96635069
Voy Square 220 P MSW ECD WH SP1-E002-D	LED		0,85	96635070
Voy Square 220 P MSW ECD WH SP1-E002-R	LED		0,85	96635071
Voy Square 220 P MSW ECD WH SP1-E001-L	LED		0,85	96635072
Voy Square 220 P MSW ECP WH SP1-E002-D	LED		0,85	96635073
Voy Square 220 P MSW ECP WH SP1-E002-R	LED		0,85	96635074
Voy Square 220 P MSW ECP WH SP1-E001-L	LED		0,85	96635075
Voy Square 220 P MSW ECC WH SP1-E002-D	LED		0,85	96635076
Voy Square 220 P MSW ECC WH SP1-E002-R	LED		0,85	96635077
Voy Square 220 P MSW ECC WH SP1-E001-L	LED		0,85	96635078
Voyager Square Spares				
ACCU Lilon 3,2V 3,0Ah 18650 2 SBS CON3			0,18	59010611
EMPOWER PROSET E3D 22x10/120mA			0,068	59011582
EMPOWER PROSET ECD 22x10/120mA			0,068	59011583
EMPOWER PROSET ECP 22x10/120mA			0,068	59011584
EMPOWER PROSET ECC 22x10/120mA			0,068	59011585