

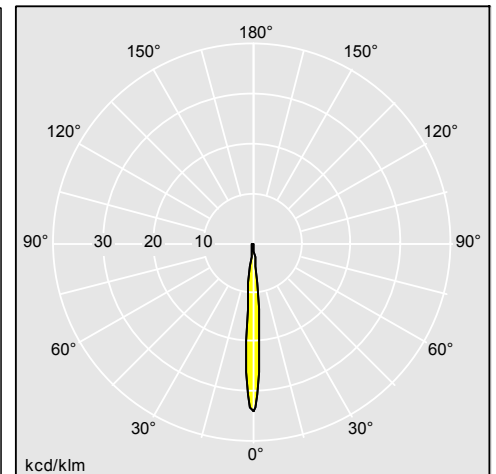
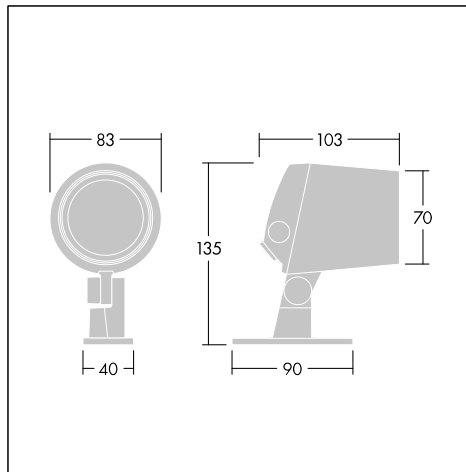
Contrast

Distinctive and elegant, Contrast range emphasises modern architecture and urban environment

- The entire family appears in a consistent and long-lasting modern design. With the monochrome black front face, the design of the Contrast cites the typical attributes of powerful optical instruments.
- From compact 4 LED spotlight to powerful 52 LED floodlight, Contrast offers a large choice of colour temperature from very warm 2200K to 4000K, balanced white and RGBW to reach the perfect colour.
- An easy control of the light with DALI2 for whites and RDMX for RGBW. You can also select manual dimming with a discreet push button or bluetooth wireless dimming to manage your installation from your smartphone.
- The 4LED mini Contrast is very compact with an integrated driver (whites only) and a single lens to achieve great colour mixing.
- Contrast is available with narrow to ultra wide beam angles, elliptical and asymmetrical beams. A great choice of nicely designed accessories can be added on site: rotative film diffusers to enlarge the choice of beam angles; honey comb, louvre and visor.
- Installation on pole is simplified with a dedicated pole mounting interface specifically designed for 12 LED Contrast.



Photographs, line drawings and photometric data are representative only. For specific product detail please select an individual product.



96633457

Material/Finish

Body: die-cast aluminium (EN AC-44300) best resistance against corrosion. Compatible with seaside installation. (Standard corrosion class C5 according to ISO 9223: 2012).

Powder coated in texturized anthracite grey / light grey / black / white. Other RAL on request.

Breather .

Glass: tempered glass, 5mm thick.

Gasket: EPDM.

Screws: geomet screws.

Contrast

Installation/Mounting

4L and 12L Contrast are equipped with a rotative foot for 360° horizontal rotation, 36L and 52L Contrast are equipped with a stirrup. Vertical tilting of -70° +80°.

4L Contrast white: with integrated driver prewired with 1x2 metres cable.
Balanced white and RGBW: prewired with 1 or 2x 2metres cable, Gearbox must be ordered separately.
Bluetooth or DALI light management available in remote gearbox to be ordered separately.
2 cables glands with connector for loop in loop out when using a remote box.
No LED module replacement.

12L, 36L and 52L: integrated driver ,2 cable glands for whites, 4 cable glands for RGBW.
Cable glands for Ø8-13mm cable.
No LED module replacement.

Optical accessories to be screwed on the front ring. film diffusers can be rotated for precise beam positioning.
Pole mounting interface for 12L Contrast for pole diameter 60 to 100mm.

Specification

To specify state:

A complete range of floodlights to cover architectural projects and area lighting projects from a pole. The range offers a very large choice of colour temperatures, lighting controls and accessories. Design is constantly applied to all fittings and accessories. The 4L is designed with a multichip led and a single lens to achieve great colour mixing and compactness. Integrated driver for all sizes except 4L balanced white, RGBW, DALI and bluetooth variant with remote gear boxes to be ordered separately. Surge protection 6kV and 10kV. Dedicated bracket for pole mounting to become an architectural feature of the city.

As Thorn Contrast

Ordering Guide

Description	ILCOS Code	Socket	Wt (kg)	SAP Code
Contrast Small				
CONT3 4L50-830 IMB HF ANT	LED		0,919	96633456
CONT3 4L WHITE-BU CBOX GB HFX SP			1,315	96633486
CONT3 4L WHITE-BU CBOX GB HFX 6K			1,315	96633487
CONT3 4L BW CBOX GB HFX SP			1,293	96633488
CONT3 4L50-830 NB HF ANT	LED		0,914	96633433
CONT3 4L50-830 NB NG IO ANT	LED		1,02	96633434
CONT3 4L50-822-40 NB NG IO ANT	LED		1,031	96633438
CONT3 4L50-822-40 MB NG IO ANT	LED		1,031	96633439
CONT3 4L50-822-40 MB NG IN ANT	LED		0,903	96633440
CONT3 4L50-822-40 WB NG IO ANT	LED		1,031	96633441
CONT3 4L50-822-40 8X32 NG IO ANT	LED		1,036	96633442
CONT3 4L50-822-40 UWB NG IO ANT	LED		1,036	96633443
CONT3 4L50-827 MB HF ANT	LED		0,914	96633682
CONT3 4L50-822 MB HF ANT	LED		0,914	96633688
CONT3 4L50-830 MB HF ANT	LED		0,914	96633689
CONT3 4L50-840 MB HF ANT	LED		0,914	96633690
CONT3 4L50-830 NB NG IN ANT	LED		0,892	96633691
CONT3 4L50 BU NB NG IO ANT	LED		0,92	96635282
CONT3 4L50-RGBW NB NG IO ANT	LED		1,05	96637058
Contrast Medium				
CONT3 12L70 722-840 MB BC 6K ANT	LED		5,228	96633449
CONT3 12L70 RGBW NB BC 6K ANT	LED		5,118	96633451
CONT3 12L70 RGBW WB BC 6K ANT	LED		5,996	96633452

Contrast

Description	ILCOS Code	Socket	Wt (kg)	SAP Code
CONT3 12L105-830 NB HFX 6K ANT	LED		5,065	96633444
CONT3 12L105-830 MB SWD 6K ANT	LED		4,996	96633445
CONT3 12L105-830 AS HFX SP ANT	LED		5,118	96633446
CONT3 12L70-RGBW NB RDMX SP ANT	LED		5,088	96633447
CONT3 12L70 722-840 NB BC 6K ANT	LED		5,228	96633448
CONT3 12L70-722-840 NB HFX SP BK	LED		5,304	96633565
CONT3 12L105-830 NB HFX SP BK	LED		5,065	96633669
CONT3 12L105 722 WB HFX 6K ANT	LED		5,1	92925835
CONT3 12L70 722-840 NB HFX SP ANT	LED		5,1	96635026
CONT3 12L70 BU NB HFX 6K ANT	LED		5,15	96635268
CONT3 12L70 RGBW NB HFX 6K ANT	LED		5,183	96636398

Contrast Large

CONT3 36L105-827 AS HFX 6K ANT	LED		13	96633450
CONT3 36L105-830 NB HFX 6K ANT	LED		13,1	96633453
CONT3 36L105-827 MB SWD 6K ANT	LED		13,1	96633454
CONT3 36L105-830 MB HFX 6K ANT	LED		13,1	96633455
CONT3 36L105-722-840 NB HFX SP ANT	LED		13,2	96633529
CONT3 36L70 722-840 NB BC 6K ANT			13,2	96633531
CONT3 52L105-830 NB HFX 6K ANT	LED		13,205	96633457
CONT3 52L105-827 NB HFX 6K ANT	LED		13,205	96633458
CONT3 52L105-722-840 NB HFX 6K ANT	LED		13,1	96633459
CONT3 52L70-RGBW NB RDMX SP ANT	LED		12,6	96633460
CONT3 52L105-722-840 NB HFX SP ANT	LED		13,1	96633461
CONT3 36L70 RGBW NB BC 6K ANT	LED		12,441	96633462
CONT3 36L105-830 NB HFX SP BK	LED		13,2	96633670
CONT3 52L105-830 NB HFX SP BK	LED		13,1	96633671
CONT3 36L105-722-840 NB HFX 6K ANT	LED		13,1	96633693
CONT3 52L90-830 NB HFX 6K ANT	LED		13,205	96634324
CONT3 36L105 722 WB SWD 6K ANT	LED		13,1	92926511
CONT3 52L105 722 NB HFX 6K ANT	LED		13,2	92926643
CONT3 36L105 827 NB SWD 6K ANT	LED		13,15	92929558
CONT3 36L70 BU NB HFX 6K ANT	LED		12,5	96635269
CONT3 52L70 BU NB HFX 6K ANT	LED		12,6	96635270
CONT3 52L70 RGBW NB BC 6K ANT	LED		12,557	96635773
CONT3 36L70 722-840 NB HFX 6K ANT	LED		13,2	96636110
CONT3 52L70 722-840 NB HFX 6K ANT	LED		13,1	96636111
CONT3 36L70 RGBW NB HFX 6K ANT	LED		12,553	96636399
CONT3 52L70 RGBW NB HFX 6K ANT	LED		12,653	96636400

Contrast Accessories

CONT3 12L DIFFUSER EB 1x60° BK			0,85	96633463
CONT3 12L DIFFUSER UWB 55x55° BK			0,85	96633464
CONT3 12L DIFFUSER EB 10x40° BK			0,85	96633465
CONT3 36/52L DIFFUSER EB 1x60° BK			1,8	96633466
CONT3 36/52L DIFFUSER UWB 55x55° BK			1,8	96633467
CONT3 36/52L DIFFUSER EB 10x40° BK			1,8	96633468
CONT3 4L VISOR ANT			0,1	96633469

Contrast

Description	ILCOS Code	Socket	Wt (kg)	SAP Code
CONT3 12L VISOR ANT			0,5	96633470
CONT3 36/52L VISOR ANT			0,75	96633471
CONT3 4L VISOR GY			0,1	96633472
CONT3 12L VISOR GY			0,5	96633473
CONT3 36/52L VISOR GY			0,75	96633474
CONT3 4L VISOR BK			0,1	96633475
CONT3 12L VISOR BK			0,5	96633476
CONT3 36/52L VISOR BK			0,75	96633477
CONT3 12L HONEY COMB BK			0,9	96633478
CONT3 36/52L HONEY COMB BK			1,8	96633479
CONT3 12L LOUVER BK			0,9	96633480
CONT3 36/52L LOUVER BK			1,8	96633481
CONT3 12L POLE BRACKET ANT			1,74	96633482
CONT3 12L POLE BRACKET GY			1,74	96633483
CONT3 12L POLE BRACKET BK			1,74	96633484
CONT3 4L SMALL EARTH SPIKE			0,9	96634041
CONT3 36/52L REC BOX GL 65x53x47 5021C3			44	96634418
CONT3 4L REC BOX GL 30x30x31 5621C3XS			14	96634419
CONT3 12L REC BOX GL 40x40x45 5421C3S			22	96634420
CONT3 36/52L REC BOX GL 65x65x54 5324C3M			58	96634421
CONT3 12L DIFFUSER EB 1x60° ANT			0,85	96635054
CONT3 12L DIFFUSER UWB 55x55° ANT			0,85	96635055
CONT3 12L DIFFUSER EB 10x40° ANT			0,85	96635056
CONT3 12L HONEY COMB ANT			0,9	96635057
CONT3 12L LOUVER ANT			0,95	96635058
CONT3 36/52L DIFFUSER EB 1x60° ANT			1,8	96635059
CONT3 36/52L DIFFUSER UWB 55x55° ANT			1,85	96635060
CONT3 36/52L DIFFUSER EB 10x40° ANT			1,85	96635061
CONT3 36/52L HONEY COMB ANT			1,8	96635062
CONT3 36/52L LOUVER ANT			1,8	96635063