

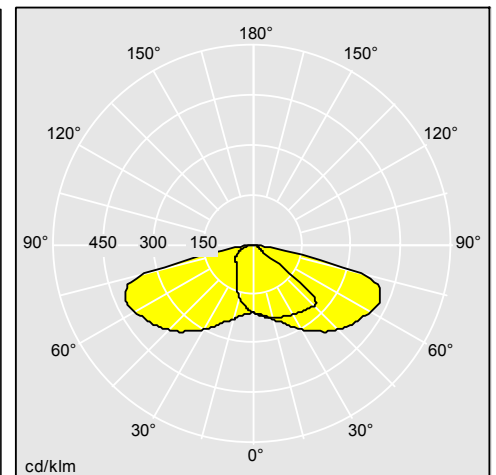
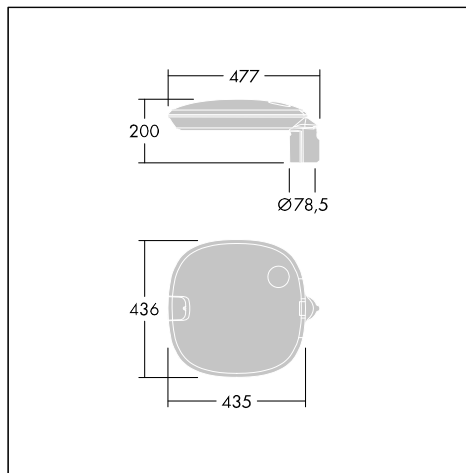
## Flow

### Highly versatile LED solution for people in the urban environment

- IDA Dark Sky Approved
- \*IDA fixture seal of approval relates to  $\leq 3000$  K only and clear enclosures,  $\pm 10^\circ$  maximum tilt only. Luminaires must be mounted as photometered.
- Offering a high variety of mountings, tiltings, optics, dimming and control options to suit any urban application with a consistent design language
- Giving a unique identity to the urban space with aesthetical ensembles
- Designed to respect the biodiversity while delivering comfort and warm ambience (3000K, 2700K, 2200K)
- Future proof luminaire with removable control gear and optic also compatible with any existing CMS options on the market thanks to the ZHAGA, 7 pin NEMA socket option
- 10 kV surge protected as standard
- OTHER OPTIONS ARE AVAILABLE (colour temperature, controls, colour...). See myProduct for configuration options



Photographs, line drawings and photometric data are representative only. For specific product detail please select an individual product.



96666298

### Material/Finish

Housing, canopy, spigot: die-cast aluminium (MCA and MSU: EN AC-47100; others EN AC-44300). Screws treated with Geomet anti-galvanic coating. MTP, MTPA, MLE : standard corrosion class C5 according to ISO 9223: 2012. Powder coated texturized anthracite grey (close to RAL7043), and 50 other RAL possibilities

Glass: 6 mm thick

Fixings: stainless steel - with anti-galvanic treatment

### Installation/Mounting

Post top mounting :  $\varnothing 60$  or  $\varnothing 76$ mm, adjustable tilt angle :  $0^\circ$  to  $+10^\circ$  ( $5^\circ$  steps)

Lateral mounting :  $\varnothing 60$  or  $\varnothing 42$ mm, Adjustable tilt angle :  $-20^\circ$  to  $+0^\circ$  ( $5^\circ$  steps)

## Flow

### Specification

To specify state:

Decorative LED lantern with great versatility. With up to 15360 Lm, efficiency up to 155 Lm/W. Offering 6 mounting variants : post top amenity, post top, lateral, suspended, wall mounted and catenary. Wide optical offer with efficient Street R-PEC and Area lighting optics, 26 light distributions (symmetrical and asymmetrical) with a performance clear or prismatic comfort variants. 4000K, 3000K, 2700K, 2200K color temperatures, as standard. Internal back light control louvre, as an option. 10KV surge protection, as standard. Street variant : post top mounting for diameter 60mm or 76mm, lateral mounting for diameter 60mm or 42 mm. Tilting possibilities from -20° to +10°. Amenity variant : post top mounting for diameter 60mm, 76mm with adaptator. Suspended through 34G. DALI and BS as standard, or LRT, PL, PN7 socket, ZU Zhaga socket up as standard, ZD Zhaga socket down (on request), ZUD Zhaga socket up & down (on request). ZD4i certified. Offering dedicated columns.

As Thorn Flow

### Ordering Guide

Description	ILCOS Code	Socket	Wt (kg)	SAP Code
<b>Flow, narrow road optic, post top mounting</b>				
FW 12L70 730 NR BS 3550 CL2 T60F ANT	LED		8,5	92918999
FW 36L70 730 NR BS 3550 CL2 T60F ANT	LED		8,48	92920032
FW 12L50 730 NR BS 3550 CL2 T60F ANT	LED		8,5	92922393
FW 12L35 730 NR BS 3550 CL2 T60F ANT	LED		8,4	92922556
FW 24L70 730 NR BS 3550 CL2 T60F ANT	LED		11,1	92923042
FW 24L50 730 NR BS 3550 CL2 T60F ANT	LED		8,5	92926958
FW 24L35 730 NR BS 3550 CL2 T60F ANT	LED		11,1	92932995
FW 36L50 730 NR BS 3550 CL2 T60F ANT	LED		8,5	92934238
FW 12L105 740 NR CL1 T60F ANT	LED		8,5	92934663
FW 24L50 740 NR CL2 T60F ANT	LED		8,5	92940344
FW 12L35 740 NR CL2 T60F ANT	LED		8,4	92942690
FW 12L105-740 NR CL2 T60F ANT	LED		8,5	96635480
FW 24L35-740 NR CL2 T60F ANT	LED		8,5	96635481
FW 24L70-740 NR CL2 T60F ANT	LED		8,5	96635482
FW 24L105-740 NR CL2 T60F ANT	LED		8,5	96635483
FW 36L35-740 NR CL2 T60F ANT	LED		8,5	96635484
FW 36L50-740 NR CL2 T60F ANT	LED		8,5	96635485
FW 36L70-740 NR CL2 T60F ANT	LED		8,5	96635486
FW 36L105-740 NR CL2 T60F ANT	LED		8,5	96635488
FW 12L35-740 NR CL1 T60F ANT	LED		8,5	96635489
FW 12L50-740 NR CL1 T60F ANT	LED		8,5	96635490
FW 12L70-740 NR CL1 T60F ANT	LED		8,5	96635491
FW 24L35-740 NR CL1 T60F ANT	LED		8,5	96635492
FW 24L50-740 NR CL1 T60F ANT	LED		8,5	96635493
FW 24L70-740 NR CL1 T60F ANT	LED		8,5	96635494
FW 24L105-740 NR CL1 T60F ANT	LED		8,5	96635495
FW 36L35-740 NR CL1 T60F ANT	LED		8,5	96635496
FW 36L50-740 NR CL1 T60F ANT	LED		8,5	96635497
FW 36L70-740 NR CL1 T60F ANT	LED		8,5	96635498
FW 36L105-740 NR CL1 T60F ANT	LED		8,5	96635500
FW 12L50-740 NR CL2 T60F ANT	LED		8	96635501
FW 12L70-740 NR CL2 T60F ANT	LED		8	96635502
FW 36L85-740 NR CL2 T60F ANT	LED		9,2	96635599
FW 36L85-740 NR CL1 T60F ANT	LED		9,2	96635600
FW 24L70-730 NR BP 3550 HFX CL2 T60F ANT	LED		8,1	92955783

## Flow

Description	ILCOS Code	Socket	Wt (kg)	SAP Code
FW 24L35-730 EWR-S BP 3550 HFX CL2 ->	LED		8,1	92965139
FW 24L70-730 EWR-S BP 3550 HFX CL2 ->	LED		8,1	92965140
<b>Flow, narrow road optic, post top amenity</b>				
FW 24L70 730 WSC HFX CL2 MTPA ANT	LED		12,36	92908999
FW 12L50 730 NR BS 3550 CL2 WS6 MTPA ANT	LED		13,504	92919485
FW 12L35 730 NR BS 3550 CL2 WS6 MTPA ANT	LED		14,544	92929057
FW 24L35 730 NR BS 3550 CL2 WS6 MTPA ANT	LED		17,244	92936849
FW 12L70 730 NR BS 3550 CL2 WS6 MTPA ANT	LED		14,644	92941108
FW 12L35 730 NR2 PR SP CL2 MTPA ANT	LED		12,26	92948219
FW 24L50-730 NR BS 3550 CL2 WS6 MTPA ANT	LED		11	92955784
FW 24L70-730 NR BS 3550 CL2 WS6 MTPA ANT	LED		12,61	92955785
FW 36L50-730 NR BS 3550 CL2 WS6 MTPA ANT	LED		12,61	92955786
FW 36L70-730 NR BS 3550 CL2 WS6 MTPA ANT	LED		12,61	92955787
FW 24L50-730 NR BP 3550 HFX CL2 MTPA ANT	LED		12,46	92957677
FW 24L70-730 NR BP 3550 HFX CL2 MTPA ANT	LED		11,96	92962716
<b>Flow accessories</b>				
FW MTP MASK ANT			0,067	96631120
FW MTPA ADAPTOR D76 ANT			0,817	96631129