

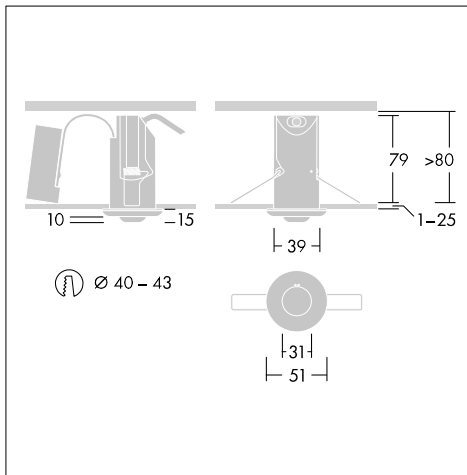
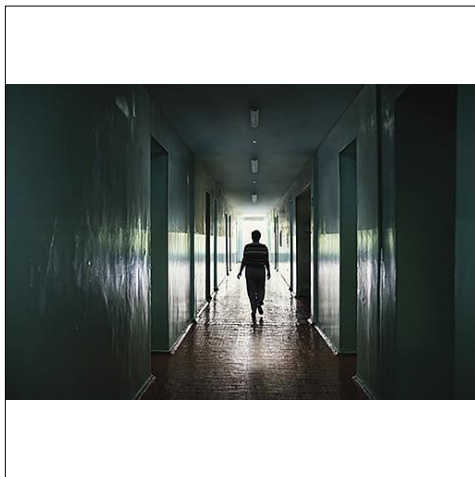
Voyager Fit

Super compact, long-lasting, easy to use

- Self-contained emergency luminaires rely on long-lasting batteries. The high-tech lithium iron phosphate battery used is robust and comes with a three-year guarantee, giving users peace of mind (for further information see respective datasheet).
- Voyager Fit recessed is so small that it can be installed almost anywhere with very little impact on ceilings. And because it only requires an 80 mm ceiling void, even buildings with limited space can benefit from the latest in LED emergency lighting.
- Voyager Fit surface is available in two heights. Slim for rear cable entry and standard for side or rear cable entry. With two colour options Voyager Fit is a flexible solution for many applications.
- Voyager Fit's interchangeable lenses make it easy to get the light distribution you need for your emergency lighting system. The lenses are easy to fit by simply clicking them into place.



Photographs, line drawings and photometric data are representative only. For specific product detail please select an individual product.



Material/Finish

Luminaire housing made of white or black polycarbonate, lenses made of transparent polycarbonate, recessed versions with red rubber strap for battery connection.

Installation/Mounting

Voyager Fit recessed can be installed directly from the box into a wide range of ceiling types including thicknesses from 1mm – 25mm.

The surface mounted versions coming with 2 housing heights: 32mm only in case where the installation cable comes from the back. Equipped with a detachable connector which allows an easy and convenient pre-wiring via push-fit terminal block.

Specification

To specify state:

Self contained emergency luminaire for recessed or surface mounting in ceilings with interchangeable lenses for most flexible optimized illumination for escape, antipanic and spot lighting. Only 80 mm ceiling voids necessary for the recessed version and small dimensions for unobtrusive installation. Manual, selftest or selftest/addressable - version capability.

Equipped with LiFePo battery technology.

As Thorn Voyager Fit.

Voyager Fit

Ordering Guide

Description	ILCOS Code	Socket	Wt (kg)	SAP Code
Voyager Fit Recessed				
VOYAGER FIT MRC E3T NM	LED		0,23	96629567
VOYAGER FIT MRC E3D NM	LED		0,23	96629568
VOYAGER FIT MRC E3 NM	LED		0,22	96629566
Voyager Fit Surface				
Voyager FIT MSC E3 NM WH	LED		0,3	96670371
Voyager FIT MSC E3 NM BK	LED		0,3	96670372
Voyager FIT MSC slim E3 NM WH	LED		0,27	96670373
Voyager FIT MSC slim E3 NM BK	LED		0,27	96670374
Voyager FIT MSC E3T NM WH	LED		0,3	96670375
Voyager FIT MSC E3T NM BK	LED		0,3	96670376
Voyager FIT MSC slim E3T NM WH	LED		0,27	96670377
Voyager FIT MSC slim E3T NM BK	LED		0,27	96670378
Voyager FIT MSC E3D NM WH	LED		0,3	96670379
Voyager FIT MSC E3D NM BK	LED		0,3	96670380
Voyager FIT MSC slim E3D NM WH	LED		0,27	96670381
Voyager FIT MSC slim E3D NM BK	LED		0,27	96670382