

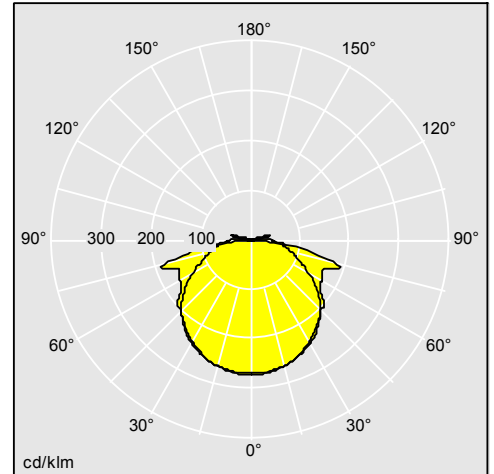
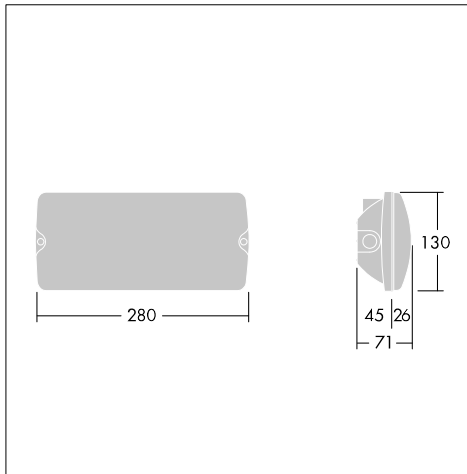
## Voyager Solid

### The bulkhead that makes emergency lighting easy

- Available in small or large versions with a consistent design, Voyager Solid provides an even, homogenous light distribution in several power ranges
- Changeable inlets: Avoiding the imperfect solutions with pictograms on stickers with trapped airbubbles, dust inclusions and no mechanical protection. Voyager Solid's pictograms are protected inside the luminaire
- Easy to install and configure, Voyager Solid can be used as a recessed and surface mounted luminaire on walls and ceilings. The fitting is rated IP65 for use in a variety of locations
- Testing options: Voyager Solid offers a variety of testing options as it is available in manual test, SelfTest and SelfTest/Addressable Test



Photographs, line drawings and photometric data are representative only. For specific product detail please select an individual product.



96629764

### Material/Finish

Housing: white polycarbonate

Cover: transparent polycarbonate

### Installation/Mounting

Tool-less 'Click' mounting after fitting the housing base. Comfortable installation with big wiring space inside.

### Specification

To specify state:

Self contained emergency luminaire for ceiling and wall mounting. Semi-recessed mounting with optional adaptor possible.

Orderable exchangeable inlets for use as safety sign. Manual test, SelfTest or Self/Addressable Test capability

As Thorn Voyager Solid

## Voyager Solid

### Ordering Guide

Description	ILCOS Code	Socket	Wt (kg)	SAP Code
<b>Voyager Solid</b>				
VOYAGER SOLID MS E3-S WH	LED		0,68	96634863
VOYAGER SOLID MS E3T-S WH	LED		0,7	96634864
VOYAGER SOLID MS E3D-S WH	LED		0,6	96634865
Voyager SOLID MS E3BC WH	LED		0,75	96635563
VOYAGER SOLID MS ECD WH	LED		0,8	96637555
VOYAGER SOLID P MS ECP WH	LED		0,5	96637556
VOYAGER SOLID P MS ELP WH	LED		0,5	96637557
<b>Voyager Solid L</b>				
VOYAGER SOLID L MS E3-S WH	LED		0,9	96629764
VOYAGER SOLID L MS E3T-S WH	LED		0,9	96629765
VOYAGER SOLID L MS E3D-S WH	LED		0,9	96629766
VOYAGER SOLID L P MS HP E3D WH			1,45	96634938
VOYAGER SOLID L MS HP ECD WH			1,1	96634939
VOYAGER SOLID L P MS HP ECP WH			1,05	96634940
Voyager SOLID L MS E3BC WH	LED		1,05	96635564
Voyager SOLID L P MS HP E3BC WH			1,6	96635565
VOYAGER SOLID L MS ECD WH	LED		0,8	96637559
VOYAGER SOLID L P MS ECP WH	LED		0,8	96637560
VOYAGER SOLID L P MS ELP WH	LED		0,8	96637561
<b>Voyager Solid Legends</b>				
VOYAGER SOLID L LEGENDSET SM-1S			0,027	96629768
VOYAGER SOLID LEGENDSET SM-1S			0,03	96634866
VOYAGER SOLID 115 MSC SM-S			0,7	96635027
<b>Voyager Solid Accessories</b>				
VOYAGER SOLID FSR WH			0,54	96629769
VOYAGER SOLID L FSR WH			0,63	96629770
<b>Voyager Solid Spares</b>				
Voyager Solid ACCU NICD 1,5AH			0,153	59009286
Voyager Solid ACCU NIMH 2,2AH			0,162	59009287
Voyager Solid HP ACCU NIMH 4AH			0,153	59011596
Voyager Solid HP Converter ECD			0,1	59011597
EMpower PROset ECP 2X10/166MA			0,068	59011539
EMpower PROset E3D 2X10/166MA			0	59011540
EMpowerLED E3D 1/350mA			0,068	59012020