

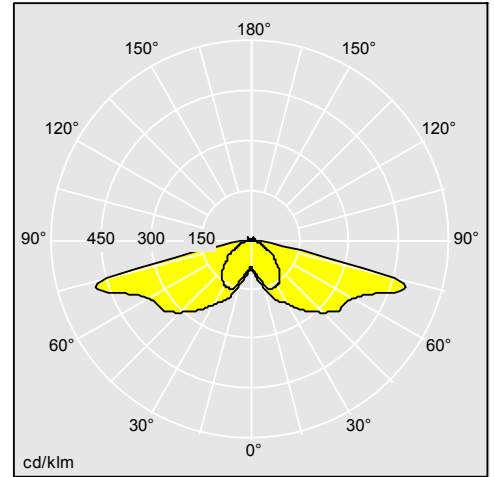
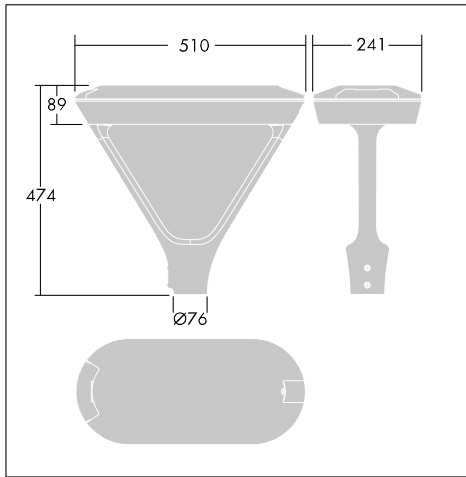
Urba Deco

Smart, sophisticated architectural urban lighting designed by Wilmotte

- IDA Dark Sky Approved
- *IDA fixture seal of approval relates to ≤ 3000 K only and clear enclosures. Luminaires must be mounted as photometered.
- Unique architectural shape with a sophisticated light signature
- Comfort lighting with Prismatic filter or louver
- High versatility with a choice of five mounting options and wide choice of light distributions
- Tool-free maintenance
- Zd4i certified on request
- Part of the URBA family: URBA, URBA DECO and URBA bollard



Photographs, line drawings and photometric data are representative only. For specific product detail please select an individual product.



96273964

Material/Finish

Canopy and base: die cast aluminium (AS9U3, LM24 equivalent, EN AC-46000) textured black close to RAL 9005. Via the configurator: Texturized anthracite (ANT) and 48 other RAL possibilities.

Glass: 6mm thick clear or prismatic glass

Arms: die cast aluminium textured black close to RAL 9005, covered with a white or black (ULOR 0) shield in plastic ASA

Installation/Mounting

Post top, catenary, suspension and wall mounting. Recommended mounting height: post top 3 to 6m, suspended 3 to 8m, catenary 5 to 8m. Post Top: mounting on spigot/columns $\text{Ø}60\text{mm}$ or $\text{Ø}76\text{mm}$: with 2 screws. Easy maintenance with tool free opening from above. Pre-wired, supplied complete and ready to install, in a single box. Catenary and suspension: fixing through 34G, maintenance with access from below. Dedicated columns and brackets available.

Specification

To specify state:

Decorative LED lantern with an unique lighting signature. Covers many applications with post top, suspended and catenary variants. Wide optical offer with a comfort prismatic variant and no upward lighting emissions, ULOR 0. Dimming with DALI2, Bi-power, Connectivity with Zhaga interface. Collection of dedicated mounting supports.

Part of the URBA family.

As Thorn Urba Deco.

Urba Deco

Ordering Guide

Description	ILCOS Code	Socket	Wt (kg)	SAP Code
Urba Deco, post top				
UD 24L35 730 WSC-S CL2 WS1 T60T BK	LED		7,1	96275689
UD 24L70 730 WSC-S CL2 WS1 T60T BK	LED		7,1	96275690
UD 48L35 730 WSC-S CL2 WS1 T60T BK	LED		7,25	96275692
UD 48L50 730 WSC-S CL2 WS1 T60T BK	LED		7,25	96275693
UD 24L35 730 WSC-S CL1 WS1 T60T BK	LED		7,14	96277181
UD 24L70 730 WSC-S CL1 WS1 T60T BK	LED		7,14	96277182
UD 48L35 730 WSC-S CL1 WS1 T60T BK	LED		7,29	96277184
UD 48L50 730 WSC-S CL1 WS1 T60T BK	LED		7,29	96277185
UD 24L25 730 WSC-S CL2 WS1 T60T BK	LED		7,1	96670049
UD 24L25 730 WSC-S CL1 WS1 T60T BK	LED		7,14	96670050
UD 24L50 730 WSC-S CL2 WS1 T60T BK	LED		7,1	96670051
UD 24L50 730 WSC-S CL1 WS1 T60T BK	LED		7,14	96670052
Urba Deco, suspended				
UD 48L35-730 WSC-S CL2 WS1 MSU-T BK U0	LED		6,48	96279225
UD 48L35-730 WSC-S CL1 WS1 MSU-T BK U0	LED		6,53	96279226
UD 48L50-730 WSC-S CL2 WS1 MSU-T BK U0	LED		6,48	96279227
UD 48L50-730 WSC-S CL1 WS1 MSU-T BK U0	LED		6,53	96279228
UD 24L35 730 WSC-S CL2 WS1 MSU-T BK U0	LED		6,33	96279215
UD 24L35 730 WSC-S CL1 WS1 MSU-T BK U0	LED		6,38	96279216
UD 24L50-730 WSC-S CL2 WS1 MSU-T BK U0	LED		6,33	96279217
UD 24L50-730 WSC-S CL1 WS1 MSU-T BK U0	LED		6,38	96279218
UD 24L70-730 WSC-S CL2 WS1 MSU-T BK U0	LED		6,33	96279219
UD 24L70-730 WSC-S CL1 WS1 MSU-T BK U0	LED		6,38	96279220
UD 24L25 730 WSC-S CL2 WS1 MSU-T BK U0	LED		6,33	96670053
UD 24L25 730 WSC-S CL1 WS1 MSU-T BK U0	LED		6,38	96670054
UD 24L50 730 EWC CL2 HFX WS5 MSU-T BK U0	LED		7,07	96670239
UD 24L50 730 WSC CL2 WS1 MSU-L BK U0	LED		6,35	96670240
Urba Deco, catenary				
UD 24L50 730 WSC-S CL2 WS1 MCA-T BK U0	LED		7,07	96279233
UD 24L50 730 WSC-S CL1 WS1 MCA-T BK U0	LED		7,12	96279234
UD 48L50 730 WSC-S CL2 WS1 MCA-T BK U0	LED		7,22	96279243
UD 48L50 730 WSC-S CL1 WS1 MCA-T BK U0	LED		7,27	96279244
Urba Deco Columns and brackets				
<UD MTP COL 3.5M ST D60 BK MPL FAI			32,5	96273384
<UD MTP COL 4M ST D60 BK MPL FAI			36,5	96273385
UD MTP COL 4.5M ST D60 BK MPL FAI			40	96273386
<UD MTP COL 5M ST D60 BK MPL FAI			45,5	96273387
<UD MTP COL 6M ST D60 BK MPL FAI			58	96273388
<UD MWA BRA 0.20M ST BK			2,5	96273398
<UD MSUx1 COL 3.5M ST BK MPL FAI			55,5	96273389
<UD MSUx1 COL 4M ST BK MPL FAI			62,5	96273390
<UD MSUx1 COL 4.5M ST BK MPL FAI			69	96273391
<UD MSUx1 COL 5M ST BK MPL FAI			76	96273392

Urba Deco

Description	ILCOS Code	Socket	Wt (kg)	SAP Code
<UD MSUx2 COL 5M ST BK MPL FAI			76,5	96273393
<UD MSUx2 COL 6M ST BK MPL FAI			90,5	96273395
<UD MSU TOP BRA 0.56M ST BK			6,5	96273396
<UD MSU BRA 0.40M ST BK			4	96273397
<UD MSUx1 COL 6M ST BK MPL FAI			90	96273394
UD MWA BRA MTP ST BK			4,05	96273942
UD MWA BRA 0.40M ST BK			3,45	96274360