

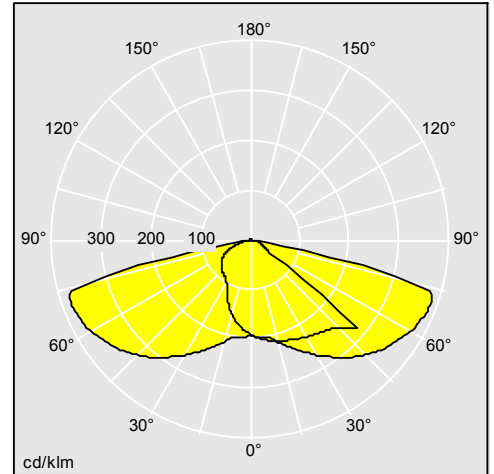
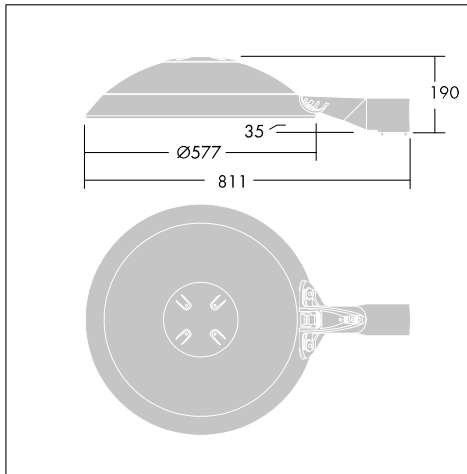
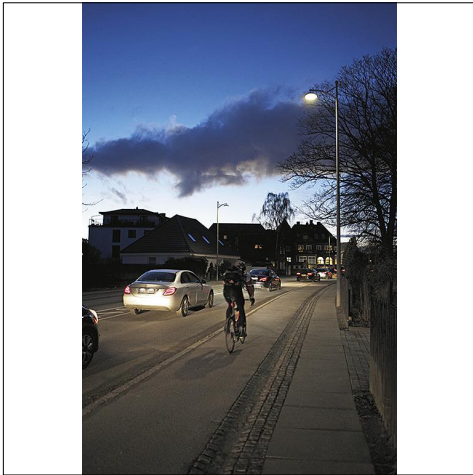
Thor

An LED smart urban lantern providing high user comfort and easy integration of connectivity and sensors into city environments

- High lighting quality creates a comfortable ambience
 - Designed around the high performance R-PEC light engine, ensuring an excellent balance between performance and comfort
 - Compatible with any existing management control system options on the market thanks to the ZHAGA socket option
 - Flexible mounting options extend the scope of application
 - Delivers comfort and warm ambience (3000K, 2700K, 2200K)
 - OTHER OPTIONS ARE AVAILABLE (colour temperature, controls, colour...).
- See Thor S myProduct for configuration options



Photographs, line drawings and photometric data are representative only. For specific product detail please select an individual product.



96643930

Material/Finish

Dome, 2 options: Thor L, UV stabilized polycarbonate with dark sandy grey finish, close to RAL7043 or with opal finish. Thor S, UV stabilized polycarbonate with opal finish, or die-cast aluminium with dark sandy grey finish.

Glass: toughened flat glass

Bracket: die cast aluminium treated against corrosion and powder coated dark sandy grey finish (close to RAL7043).

Body: die cast aluminium treated against corrosion and powder coated dark sandy grey finish (close to RAL7043) (EN AC-47100 + CAT). Standard corrosion class C5 according to ISO 9223: 2012.

Reflector: ABS white with UV treatment

Screws and closing set: Stainless steel

Installation/Mounting

Recommended mounting height: up to 8m. All post top and side entry versions are pre-wired. Supplied complete and ready to install, in a single box. Suitable for both post top and side entry mounting $\varnothing 60\text{mm}$ as standard. Side mounting: $\varnothing 60\text{mm}$ x 100mm long spigot, tilting -15° max, secured by 2 screws, delivered tilted at 0° by default. Top mounting: $\varnothing 60\text{mm}$ spigot, tilting $+10^\circ$ max, secured by 2 stainless steel screws, delivered tilted at 0° by default. Optimised with R-PEC optics for good control and performance. Catenary and suspended versions fixed through 27G, and 34G. $\varnothing 48\text{mm}$ lateral and post top versions (external $\varnothing 60\text{mm}$, internal $\varnothing 48\text{mm}$), available on request.

Thor

Specification

To specify state:

IP66 durable urban LED lantern with full dome or opal dome. Luminaire flux up to 16 986 Llm. Efficiency up to 160 Llm/W. Ø60mm side entry, and post top mountings, as standard. Tilting from -15° to +10°. Wide optical offer with efficient R-PEC optics. CLO, bi-power, DALI and Zhaga as standard. 4000K, 3000K, 2700K, 2200K color temperatures. Ø48mm lateral, Ø48mm post top mountings, catenary and suspended versions (on request for Thor L). Compatible with management control system options via Zhaga socket options.

Thor S : ZU Zhaga socket up, ZD Zhaga socket down, ZUD Zhaga socket up & down.

Thor L : ZD Zhaga socket down. ZD4i certified.

As Thorn Thor.

Ordering Guide

Description	ILCOS Code	Socket	Wt (kg)	SAP Code
Thor S, Post top mounting, full dome, narrow road optic				
TR 36L50 740 NR C90 HFX CL2 FD WS6 ->	LED		10,6	96665247
TR 12L50 740 NR CL2 W8 ZU FD T60E ANT	LED		10,9	96634944
TR 12L50 740 NR CL1 W8 ZU FD T60E ANT	LED		10,9	96635121
TR 36L50 740 NR CL1 W8 ZUD FD T60E ANT	LED		11	96635127
TR 36L50 740 NR CL2 W8 ZUD FD T60E ANT	LED		11	96635128
TR 12L25-740 NR CL2 FD T60E ANT	LED		8,65	96635448
TR 12L35-740 NR CL2 FD T60E ANT	LED		8,65	96635449
TR 12L50-740 NR CL2 FD T60E ANT	LED		8,7	96635450
TR 12L70-740 NR CL2 FD T60E ANT	LED		8,7	96635451
TR 24L35-740 NR CL2 FD T60E ANT	LED		8,8	96635452
TR 24L50-740 NR CL2 FD T60E ANT	LED		8,8	96635453
TR 24L70-740 NR CL2 FD T60E ANT	LED		8,85	96635454
TR 36L35-740 NR CL2 FD T60E ANT	LED		8,95	96635456
TR 36L50-740 NR CL2 FD T60E ANT	LED		8,95	96635457
TR 36L70-740 NR CL2 FD T60E ANT	LED		9,23	96635458
TR 12L25-740 NR CL1 FD T60E ANT	LED		8,65	96635459
TR 12L35-740 NR CL1 FD T60E ANT	LED		8,65	96635460
TR 12L50-740 NR CL1 FD T60E ANT	LED		8,7	96635461
TR 12L70-740 NR CL1 FD T60E ANT	LED		8,7	96635462
TR 24L35-740 NR CL1 FD T60E ANT	LED		8,8	96635463
TR 24L50-740 NR CL1 FD T60E ANT	LED		8,8	96635464
TR 24L70-740 NR CL1 FD T60E ANT	LED		8,85	96635465
TR 36L35-740 NR CL1 FD T60E ANT	LED		8,95	96635467
TR 36L50-740 NR CL1 FD T60E ANT	LED		8,95	96635468
TR 36L70-740 NR CL1 FD T60E ANT	LED		9,23	96635469
Thor S, Post top mounting, full dome, street comfort optic				
TR 36L50 740 SC LRT CL2 FD DS6 T60E ANT	LED		10,6	96665258
TR 36L70 740 SC LRT CL2 FD DS6 T60E ANT	LED		10,6	96665273
Thor S, Lateral mounting, full dome, street comfort optic				
TR 36L50 740 SC LRT CL2 FD DS6 L60E ANT	LED		10	96665298
TR 36L70 740 SC LRT CL2 FD DS6 L60E ANT	LED		10	96665313
Thor S, Suspended, full dome, street comfort optic				
TR 36L50 740 SC LRT CL2 FD MSU27GF ANT	LED		8,2	96628521

Thor

Description	ILCOS Code	Socket	Wt (kg)	SAP Code
TR 36L70 740 SC LRT CL2 FD MSU27GF ANT	LED		8,2	96628522
TR 36L50 740 SC LRT CL2 FD MSU34GM ANT	LED		8,2	96665359
TR 36L70 740 SC LRT CL2 FD MSU34GM ANT	LED		8,2	96665362

Thor S, Catenary mounting, full dome, narrow road optic

TR 24L105 740 NR-S BS 3550 CL2 FD MCA ->	LED		8,6	96630287
TR 24L105 740 NR-S BS 3550 CL1 FD MCA ->	LED		8,6	96632118
TR 24L105-740 NR-S CL2 FD MCA ANT	LED		8,85	96635455
TR 24L105-740 NR-S CL1 FD MCA ANT	LED		8,85	96635466

Thor S, Catenary mounting, full dome, wide street optic

TR 24L105 730 WS-S BS 3550 CL2 FD MCA ->	LED		8,6	96665350
TR 24L105 740 WS-S BS 3550 CL2 FD MCA ->	LED		8,6	96665351
TR 24L105 740 WS-S LRT CL2 FD MCA ANT	LED		8,6	96665352
TR 24L105 740 WS-S BS 3550 CL1 FD MCA ->	LED		8,6	96665355

Thor L, Post top mounting, full dome, narrow road optic

TR 48L50-740 NR BP CLO CL2 FD W9 T60E	LED		13,9	96643932
TR 48L50-730 NR BP CL2 FD W9 T60E	LED		13,9	96643935
TR 48L50-740 NR BP CL1 FD W9 T60E	LED		13,9	96643938
TR 48L50-730 NR BP CL1 FD W9 T60E	LED		13,9	96643940
TR 72L50-740 NR BP CL2 FD W9 T60E	LED		14,8	96643942
TR 72L50-730 NR BP CL2 FD W9 T60E	LED		14,8	96643945
TR 72L50-740 NR BP CL1 FD W9 T60E	LED		14,8	96643948
TR 72L50-730 NR BP CL1 FD W9 T60E	LED		14,8	96643950

Thor L, Post top mounting, full dome, wet road optic

TR 48L50-740 RWT BP CL2 FD W9 T60E	LED		13,9	96643934
TR 48L50-730 RWT BP CL2 FD W9 T60E	LED		13,9	96643937
TR 72L50-740 RWT BP CL2 FD W9 T60E	LED		14,8	96643944
TR 72L50-730 RWT BP CL2 FD W9 T60E	LED		14,8	96643947

Thor L, Post top mounting, full dome, street comfort optic

TR 48L50-740 SC BP CL2 FD W9 T60E	LED		13,9	96643933
TR 48L50-730 SC BP CL2 FD W9 T60E	LED		13,9	96643936
TR 48L50-740 SC BP CL1 FD W9 T60E	LED		13,9	96643939
TR 48L50-730 SC BP CL1 FD W9 T60E	LED		13,9	96643941
TR 72L50-740 SC BP CL2 FD W9 T60E	LED		14,8	96643943
TR 72L50-730 SC BP CL2 FD W9 T60E	LED		14,8	96643946
TR 72L50-740 SC BP CL1 FD W9 T60E	LED		14,8	96643949
TR 72L50-730 SC BP CL1 FD W9 T60E	LED		14,8	96643951

Thor L, Post top mounting, opal dome, narrow road optic

TR 48L50-740 NR BP CL2 OP W9 T60E	LED		14,2	96643892
TR 48L50-730 NR BP CL2 OP W9 T60E	LED		14,2	96643895
TR 48L50-740 NR BP CL1 OP W9 T60E	LED		14,2	96643898

Thor

Description	ILCOS Code	Socket	Wt (kg)	SAP Code
TR 48L50-730 NR BP CL1 OP W9 T60E	LED		14,2	96643900
TR 72L50-740 NR BP CL2 OP W9 T60E	LED		14,6	96643902
TR 72L50-730 NR BP CL2 OP W9 T60E	LED		14,6	96643905
TR 72L50-740 NR BP CL1 OP W9 T60E	LED		14,6	96643908
TR 72L50-730 NR BP CL1 OP W9 T60E	LED		14,6	96643910

Thor L, Post top mounting, opal dome, wet road optic

TR 48L50-740 RWT BP CL2 OP W9 T60E	LED		14,2	96643894
TR 48L50-730 RWT BP CL2 OP W9 T60E	LED		14,2	96643897
TR 72L50-740 RWT BP CL2 OP W9 T60E	LED		14,6	96643904
TR 72L50-730 RWT BP CL2 OP W9 T60E	LED		14,6	96643907

Thor L, Post top mounting, opal dome, street comfort optic

TR 48L50-740 SC BP CL2 OP W9 T60E	LED		14,2	96643893
TR 48L50-730 SC BP CL2 OP W9 T60E	LED		14,2	96643896
TR 48L50-740 SC BP CL1 OP W9 T60E	LED		14,2	96643899
TR 48L50-730 SC BP CL1 OP W9 T60E	LED		14,2	96643901
TR 72L50-740 SC BP CL2 OP W9 T60E	LED		14,6	96643903
TR 72L50-730 SC BP CL2 OP W9 T60E	LED		14,6	96643906
TR 72L50-740 SC BP CL1 OP W9 T60E	LED		14,6	96643909
TR 72L50-730 SC BP CL1 OP W9 T60E	LED		14,6	96643911

Thor L, Lateral mounting, full dome, narrow road optic

TR 48L50-740 NR BP CL2 FD W9 L60E	LED		13,9	96643952
TR 48L50-730 NR BP CL2 FD W9 L60E	LED		13,9	96643955
TR 48L50-740 NR BP CL1 FD W9 L60E	LED		13,9	96643958
TR 48L50-730 NR BP CL1 FD W9 L60E	LED		13,9	96643960
TR 72L50-740 NR BP CL2 FD W9 L60E	LED		14,8	96643962
TR 72L50-730 NR BP CL2 FD W9 L60E	LED		14,8	96643965
TR 72L50-740 NR BP CL1 FD W9 L60E	LED		14,8	96643968
TR 72L50-730 NR BP CL1 FD W9 L60E	LED		14,8	96643970

Thor L, Lateral mounting, full dome, wet road optic

TR 48L50-740 RWT BP CL2 FD W9 L60E	LED		13,9	96643954
TR 48L50-730 RWT BP CL2 FD W9 L60E	LED		13,9	96643957
TR 72L50-740 RWT BP CL2 FD W9 L60E	LED		14,8	96643964
TR 72L50-730 RWT BP CL2 FD W9 L60E	LED		14,8	96643967

Thor L, Lateral mounting, full dome, street comfort optic

TR 48L50-740 SC BP CL2 FD W9 L60E	LED		13,9	96643953
TR 48L50-730 SC BP CL2 FD W9 L60E	LED		13,9	96643956
TR 48L50-740 SC BP CL1 FD W9 L60E	LED		13,9	96643959
TR 48L50-730 SC BP CL1 FD W9 L60E	LED		13,9	96643961
TR 72L50-740 SC BP CL2 FD W9 L60E	LED		14,8	96643963
TR 72L50-730 SC BP CL2 FD W9 L60E	LED		14,8	96643966
TR 72L50-740 SC BP CL1 FD W9 L60E	LED		14,8	96643969
TR 72L50-730 SC BP CL1 FD W9 L60E	LED		14,8	96643971

Thor

Description	ILCOS Code	Socket	Wt (kg)	SAP Code
Thor L, Lateral mounting, opal dome, narrow road optic				
TR 48L50-740 NR BP CL2 OP W9 L60E	LED		14,2	96643912
TR 48L50-730 NR BP CL2 OP W9 L60E	LED		14,2	96643915
TR 48L50-740 NR BP CL1 OP W9 L60E	LED		14,2	96643918
TR 48L50-730 NR BP CL1 OP W9 L60E	LED		14,2	96643920
TR 72L50-740 NR BP CL2 OP W9 L60E	LED		14,6	96643922
TR 72L50-730 NR BP CL2 OP W9 L60E	LED		14,6	96643925
TR 72L50-740 NR BP CL1 OP W9 L60E	LED		14,6	96643928
TR 72L50-730 NR BP CL1 OP W9 L60E	LED		14,6	96643930
Thor L, Lateral mounting, opal dome, wet road optic				
TR 48L50-740 RWT BP CL2 OP W9 L60E	LED		14,2	96643914
TR 48L50-730 RWT BP CL2 OP W9 L60E	LED		14,2	96643917
TR 72L50-740 RWT BP CL2 OP W9 L60E	LED		14,6	96643924
TR 72L50-730 RWT BP CL2 OP W9 L60E	LED		14,6	96643927
Thor L, Lateral mounting, opal dome, street comfort optic				
TR 48L50-740 SC BP CL2 OP W9 L60E	LED		14,2	96643913
TR 48L50-730 SC BP CL2 OP W9 L60E	LED		14,2	96643916
TR 48L50-740 SC BP CL1 OP W9 L60E	LED		14,2	96643919
TR 48L50-730 SC BP CL1 OP W9 L60E	LED		14,2	96643921
TR 72L50-740 SC BP CL2 OP W9 L60E	LED		14,6	96643923
TR 72L50-730 SC BP CL2 OP W9 L60E	LED		14,6	96643926
TR 72L50-740 SC BP CL1 OP W9 L60E	LED		14,6	96643929
TR 72L50-730 SC BP CL1 OP W9 L60E	LED		14,6	96643931
Thor L, Catenary mounting, full dome, road comfort optic				
TR 72L50-740 RC CL2 FD MCA 12M	LED		15	96630230
TR 72L50-730 RC CL2 FD MCA 12M	LED		15	96630232
TR 72L50 740 RC CL2 FD MCA IO W12	LED		15	96631733
TR 72L50 730 RC CL2 FD MCA IO W12	LED		15	96631735
Thor L, Catenary mounting, opal dome, wet road optic				
TR 72L50-740 RWT CL2 OP MCA 12M	LED		15	96630231
TR 72L50-730 RWT CL2 OP MCA 12M	LED		15	96630233
TR 72L50-740 RWT CL2 OP MCA IO W12	LED		15	96631734
TR 72L50 730 RWT CL2 OP MCA IO W12	LED		15	96631736