

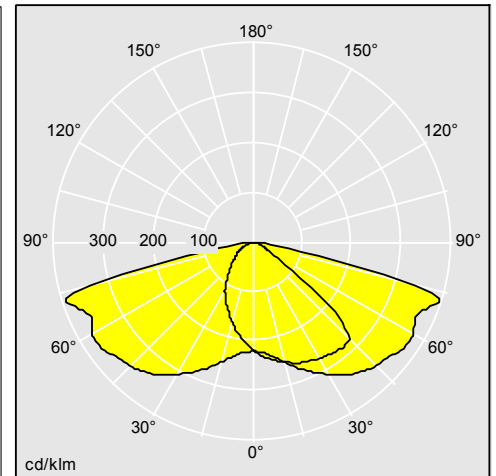
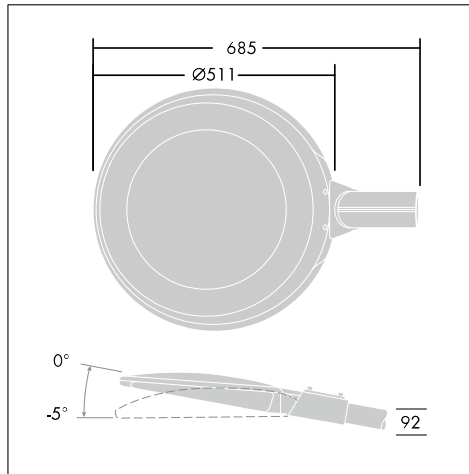
Dyana

A high quality LED luminaire to enhance efficiently urban roads and streets up to Me2

- Flexibility of use: 13 lumen outputs (up to 21500 lm), top or lateral mountings and two optics to cover a wide range of lighting projects from S to Me2 classes
- High performance Thorn R-PEC road and street lighting LED optic with high efficiency (up to 150 lm/W)
- Durable IP66 and IK10 luminaire made of high quality die-cast aluminium
- Coordinated with new brackets and columns for a full harmonised architectural project



Photographs, line drawings and photometric data are representative only. For specific product detail please select an individual product.



96264391

Material/Finish

Body, spigot and canopy: die-cast aluminium (EN AC-47100), power coating textured dark grey finish. Standard corrosion class: C3.

Flat glass cover: 5mm thick toughened glass.

Gasket: Ethylene Propylene Diamine rubber (EPDM).

Installation/Mounting

Optimised narrow road (NR) and wide street (WS) optic for good control and comfort. Dedicated range of Dyana (Thorn range) columns and brackets.

Side entry mounting Ø 60mm, tilt = 0°, -5°. Post top mounting Ø 60mm and Ø 76mm as standard, tilt 5°, 10°. End cap secured by 2 screws.

Slim section only 92mm thick. Opening from above. Supplied complete and ready to install, in a single box. Weight: 12 kg max.

Supplied complete and ready to install, in a single box. Weight: 15kg max. Option for Ø 76 mm mounting with spigot accessory.

Specification

To specify state:

IP 66 aluminium decorative streetlighting lantern in 2 sizes. Side entry and top mountings, 60mm and 76mm diameters options of tiltings. With options for dimming, CLO (constant light output).

As Thorn Dyana LED.

Dyana

Ordering Guide Supplied complete with LEDs

Description	ILCOS Code	Socket	Wt (kg)	SAP Code
Dyana LED, Bi-power, size 1				
DYA 12L70-740 NR BP 3550 CL1 L60E ANT	LED		10,843	96261027
DYA 24L70-740 NR BP 3550 CL1 L60E ANT	LED		10,873	96261028
DYA 36L70-740 NR BP 3550 CL1 L60E ANT	LED		9,458	96261029
DYA 24L70-740 NR BP 3550 CL2 L60E ANT	LED		10,838	96260745
DYA 36L70-740 NR BP 3550 CL2 L60E ANT	LED		10,846	96260746
DYA 12L70-740 NR BP 3550 CL2 L60E ANT	LED		10,809	96261003
DYA 60L70-740 NR BP 3550 CL2 L60E ANT	LED		12,1	96264400
DYA 60L70-740 NR BP 3550 CL1 L60E ANT	LED		12,2	96264402
DYA 48L70-740 NR BP 3550 CL2 L60E ANT	LED		12,1	96269040
DYA 12L35-740 NR BP 3550 CL2 L60E ANT	LED		10,809	96666330
DYA 12L50-740 NR BP 3550 CL2 L60E ANT	LED		10,809	96666331
DYA 24L35-740 NR BP 3550 CL2 L60E ANT	LED		10,838	96666332
DYA 24L50-740 NR BP 3550 CL2 L60E ANT	LED		10,838	96666333
DYA 36L35-740 NR BP 3550 CL2 L60E ANT	LED		10,846	96666334
DYA 36L50-740 NR BP 3550 CL2 L60E ANT	LED		10,838	96666335
DYA 48L35-740 NR BP 3550 CL2 L60E ANT	LED		12,1	96666336
DYA 48L50-740 NR BP 3550 CL2 L60E ANT	LED		12,1	96666337
DYA 60L35-740 NR BP 3550 CL2 L60E ANT	LED		12,1	96666338
DYA 60L50-740 NR BP 3550 CL2 L60E ANT	LED		12,1	96666339
DYA 12L35-740 NR BP 3550 CL1 L60E ANT	LED		10,843	96277197
DYA 12L50-740 NR BP 3550 CL1 L60E ANT	LED		10,843	96277198
DYA 24L35-740 NR BP 3550 CL1 L60E ANT	LED		10,873	96277199
DYA 24L50-740 NR BP 3550 CL1 L60E ANT	LED		10,873	96277200
DYA 36L35-740 NR BP 3550 CL1 L60E ANT	LED		9,458	96277201
DYA 36L50-740 NR BP 3550 CL1 L60E ANT	LED		9,458	96277202
DYA 48L35-740 NR BP 3550 CL1 L60E ANT	LED		12,2	96277203
DYA 48L50-740 NR BP 3550 CL1 L60E ANT	LED		12,2	96277204
DYA 48L70-740 NR BP 3550 CL1 L60E ANT	LED		12,2	96277205
DYA 60L35-740 NR BP 3550 CL1 L60E ANT	LED		12,2	96277206
DYA 60L50-740 NR BP 3550 CL1 L60E ANT	LED		12,2	96277207
DYA 36L105-740 NR BP 3550 CL2 L60E ANT	LED		10,986	96681111
DYA 36L105-740 NR BP 3550 CL1 L60E ANT	LED		10,986	96681112
Brackets				
<SATYS2 MWA 0,4 ANT			2,4	96264458
<SATYS2 1xBRA 0,8 MTP D60 ANT			10,3	96264454
Column packages				
<SATYS2 COL 8M 1xBRA 1,2 D60 ANT			80	96264464
<SATYS2 COL 8M 2xBRA 1,2 D60 ANT			85	96264465
<SATYS2 COL 8M 1xBRA 1,2 D60 MWA ANT			86	96264466
<SATYS2 COL 9M 2xBRA 1,2 D60 ANT			95	96264468