

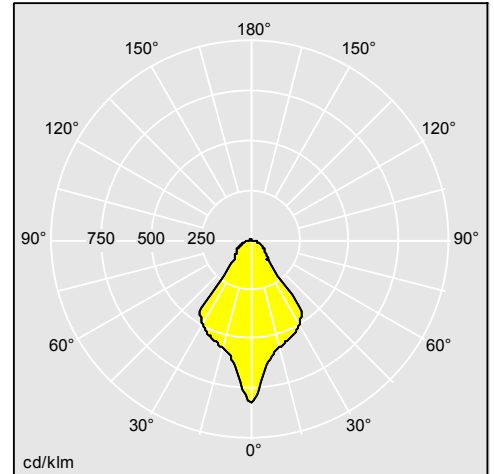
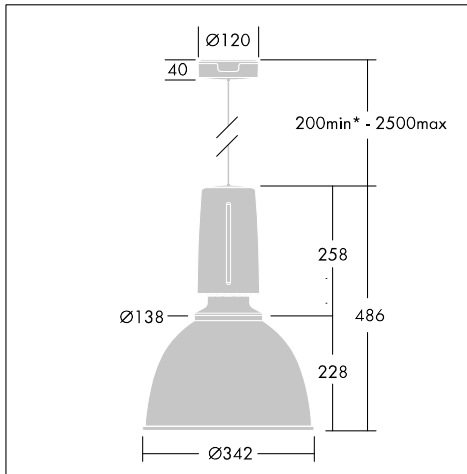
## Glacier II

### Modern and efficient decorative LED pendant luminaire with high lumen packages

- High performance (91-124lm/W) decorative luminaire offers an efficient alternative to traditional HID (up to 150W) pendants
- Available in two sizes and two colours
- A choice of 4 reflectors to fit a wide range of applications
- Ceiling rose in same design to complete the look



Photographs, line drawings and photometric data are representative only. For specific product detail please select an individual product.



96629696

### Material/Finish

Housing: die-cast aluminium with satin grey/black finish

Reflector: polycarbonate prismatic, glass prismatic, opal glass or grey/black spun aluminium

Suspension wire: braided steel

Ceiling rose (to be ordered separately): die-cast aluminium with satin grey/black finish and white plastic

### Installation/Mounting

Suspension: adjustable quick-lock 2.5m single wire suspension (supplied). Similar length of pre-installed braided flame retardant silicon cable 5x0.75mm<sup>2</sup> (6x0.75mm<sup>2</sup> for E3). Ceiling rose option (ordered separately) 2x5x2.5mm<sup>2</sup> terminal block.

### Specification

To specify state:

Large decorative LED pendant in two sizes with die cast aluminium housing on single wire suspension. With polycarbonate prismatic/glass prismatic/opal glass/grey/black spun aluminium reflector. Lumen output from 3000-9500 lumens, efficacy 91-124lm/W, CRI>80.

As Thorn Glacier II LED.

## Glacier II

**Ordering Guide** Supplied complete with LEDs.

Description	ILCOS Code	Socket	Wt (kg)	SAP Code
<b>Glacier II, aluminium reflector</b>				
GLAC2 S LED2 1000-830 HFIX EC GY AL GY	LED		1,8	96629698
GLAC2 S LED2 1000-830 HFIX EC BK AL BK	LED		1,8	96629701
GLAC2 S LED2 1000-840 HFIX EC GY AL GY	LED		1,8	96629704
GLAC2 S LED2 1000-840 HFIX EC BK AL BK	LED		1,8	96629707
GLAC2 L LED3 3000-830 HFIX EC BK AL BK	LED		4,8	96632397
GLAC2 L LED3 3000-830 HFIX EC GY AL GY	LED		4,8	96632398
GLAC2 L LED3 3000-840 HFIX EC BK AL BK	LED		4,8	96632399
GLAC2 L LED3 3000-840 HFIX EC GY AL GY	LED		4,8	96632400
GLAC2 L LED3 5000-830 HFIX EC BK AL BK	LED		4,8	96632401
GLAC2 L LED3 5000-830 HFIX EC GY AL GY	LED		4,8	96632402
GLAC2 L LED3 5000-840 HFIX EC BK AL BK	LED		4,8	96632403
GLAC2 L LED3 5000-840 HFIX EC GY AL GY	LED		4,8	96632404
GLAC2 L LED2 7800-830 HFIX EC BK AL BK	LED		4,8	96632405
GLAC2 L LED2 7800-830 HFIX EC GY AL GY	LED		4,8	96632406
GLAC2 L LED2 7800-840 HFIX EC BK AL BK	LED		4,8	96632407
GLAC2 L LED2 7800-840 HFIX EC GY AL GY	LED		4,8	96632408
<b>Glacier II, aluminium reflector, basicDIM</b>				
GLAC2 L LED3 3000-830 BC EC BK AL BK	LED		4,8	96632142
GLAC2 L LED3 3000-830 BC EC GY AL GY	LED		4,8	96632143
GLAC2 L LED3 3000-840 BC EC BK AL BK	LED		4,8	96632144
GLAC2 L LED3 3000-840 BC EC GY AL GY	LED		4,8	96632145
GLAC2 L LED3 5000-830 BC EC BK AL BK	LED		4,8	96632146
GLAC2 L LED3 5000-830 BC EC GY AL GY	LED		4,8	96632147
GLAC2 L LED3 5000-840 BC EC BK AL BK	LED		4,8	96632148
GLAC2 L LED3 5000-840 BC EC GY AL GY	LED		4,8	96632149
GLAC2 L LED2 7800-830 BC EC BK AL BK	LED		4,8	96632150
GLAC2 L LED2 7800-830 BC EC GY AL GY	LED		4,8	96632151
GLAC2 L LED2 7800-840 BC EC BK AL BK	LED		4,8	96632152
GLAC2 L LED2 7800-840 BC EC GY AL GY	LED		4,8	96632153
<b>Glacier II, prismatic glass reflector</b>				
GLAC2 L LED3 3500-830 HFIX EC BK GL PR	LED		6,8	96632409
GLAC2 L LED3 3500-830 HFIX EC GY GL PR	LED		6,8	96632410
GLAC2 L LED3 3500-840 HFIX EC BK GL PR	LED		6,8	96632411
GLAC2 L LED3 3500-840 HFIX EC GY GL PR	LED		6,8	96632412
GLAC2 L LED3 6000-830 HFIX EC BK GL PR	LED		6,8	96632413
GLAC2 L LED3 6000-830 HFIX EC GY GL PR	LED		6,8	96632414
GLAC2 L LED3 6000-840 HFIX EC BK GL PR	LED		6,8	96632415
GLAC2 L LED3 6000-840 HFIX EC GY GL PR	LED		6,8	96632416
GLAC2 L LED2 9500-830 HFIX EC BK GL PR	LED		6,8	96632417
GLAC2 L LED2 9500-830 HFIX EC GY GL PR	LED		6,8	96632418
GLAC2 L LED2 9500-840 HFIX EC BK GL PR	LED		6,8	96632419
GLAC2 L LED2 9500-840 HFIX EC GY GL PR	LED		6,8	96632420
<b>Glacier II, prismatic glass reflector, basicDIM</b>				

## Glacier II

Description	ILCOS Code	Socket	Wt (kg)	SAP Code
GLAC2 L LED3 3500-830 BC EC BK GL PR	LED		6,8	96632154
GLAC2 L LED3 3500-830 BC EC GY GL PR	LED		6,8	96632155
GLAC2 L LED3 3500-840 BC EC BK GL PR	LED		6,8	96632156
GLAC2 L LED3 3500-840 BC EC GY GL PR	LED		6,8	96632157
GLAC2 L LED3 6000-830 BC EC BK GL PR	LED		6,8	96632158
GLAC2 L LED3 6000-830 BC EC GY GL PR	LED		6,8	96632159
GLAC2 L LED3 6000-840 BC EC BK GL PR	LED		6,8	96632160
GLAC2 L LED3 6000-840 BC EC GY GL PR	LED		6,8	96632161
GLAC2 L LED2 9500-830 BC EC BK GL PR	LED		6,8	96632162
GLAC2 L LED2 9500-830 BC EC GY GL PR	LED		6,8	96632163
GLAC2 L LED2 9500-840 BC EC BK GL PR	LED		6,8	96632164
GLAC2 L LED2 9500-840 BC EC GY GL PR	LED		6,8	96632165
<b>Glacier II, opal glass reflector</b>				
GLAC2 S LED2 1000-830 HFIX EC GY GL OP	LED		2,5	96629697
GLAC2 S LED2 1000-830 HFIX EC BK GL OP	LED		2,5	96629700
GLAC2 S LED2 1000-840 HFIX EC GY GL OP	LED		2,5	96629703
GLAC2 S LED2 1000-840 HFIX EC BK GL OP	LED		2,5	96629706
GLAC2 L LED2 9400-830 HFIX EC GY GL OP	LED		6,5	96632430
GLAC2 L LED2 9400-840 HFIX EC BK GL OP	LED		6,5	96632431
GLAC2 L LED2 9400-840 HFIX EC GY GL OP	LED		6,5	96632432
GLAC2 L LED3 3500-830 HFIX EC BK GL OP	LED		6,5	96632421
GLAC2 L LED3 3500-830 HFIX EC GY GL OP	LED		6,5	96632422
GLAC2 L LED3 3500-840 HFIX EC BK GL OP	LED		6,5	96632423
GLAC2 L LED3 3500-840 HFIX EC GY GL OP	LED		6,5	96632424
GLAC2 L LED3 6000-830 HFIX EC BK GL OP	LED		6,5	96632425
GLAC2 L LED3 6000-830 HFIX EC GY GL OP	LED		6,5	96632426
GLAC2 L LED3 6000-840 HFIX EC BK GL OP	LED		6,5	96632427
GLAC2 L LED3 6000-840 HFIX EC GY GL OP	LED		6,5	96632428
GLAC2 L LED2 9400-830 HFIX EC BK GL OP	LED		6,5	96632429
<b>Glacier II, opal glass reflector, basicDIM</b>				
GLAC2 L LED3 3500-830 BC EC BK GL OP	LED		6,5	96632166
GLAC2 L LED3 3500-830 BC EC GY GL OP	LED		6,5	96632167
GLAC2 L LED3 3500-840 BC EC BK GL OP	LED		6,5	96632168
GLAC2 L LED3 3500-840 BC EC GY GL OP	LED		6,5	96632169
GLAC2 L LED3 6000-830 BC EC BK GL OP	LED		6,5	96632170
GLAC2 L LED3 6000-830 BC EC GY GL OP	LED		6,5	96632171
GLAC2 L LED3 6000-840 BC EC BK GL OP	LED		6,5	96632172
GLAC2 L LED3 6000-840 BC EC GY GL OP	LED		6,5	96632173
GLAC2 L LED2 9400-830 BC EC BK GL OP	LED		6,5	96632174
GLAC2 L LED2 9400-830 BC EC GY GL OP	LED		6,5	96632175
GLAC2 L LED2 9400-840 BC EC BK GL OP	LED		6,5	96632176
GLAC2 L LED2 9400-840 BC EC GY GL OP	LED		6,5	96632177
<b>Glacier II, prismatic polycarbonate reflector</b>				
GLAC2 L LED3 3500-830 HFIX EC BK PC PR	LED		5	96632433
GLAC2 L LED3 3500-830 HFIX EC GY PC PR	LED		5	96632434
GLAC2 L LED3 3500-840 HFIX EC BK PC PR	LED		5	96632435

## Glacier II

Description	ILCOS Code	Socket	Wt (kg)	SAP Code
GLAC2 L LED3 3500-840 HFIX EC GY PC PR	LED		5	96632436
GLAC2 L LED3 6000-830 HFIX EC BK PC PR	LED		5	96632437
GLAC2 L LED3 6000-830 HFIX EC GY PC PR	LED		5	96632438
GLAC2 L LED3 6000-840 HFIX EC BK PC PR	LED		5	96632439
GLAC2 L LED3 6000-840 HFIX EC GY PC PR	LED		5	96632440
GLAC2 L LED2 9300-830 HFIX EC BK PC PR	LED		5	96632441
GLAC2 L LED2 9300-830 HFIX EC GY PC PR	LED		5	96632442
GLAC2 L LED2 9300-840 HFIX EC BK PC PR	LED		5	96632443
GLAC2 L LED2 9300-840 HFIX EC GY PC PR	LED		5	96632444

### Glacier II, prismatic polycarbonate reflector, basicDIM

GLAC2 L LED3 3500-830 BC EC BK PC PR	LED		5	96632178
GLAC2 L LED3 3500-830 BC EC GY PC PR	LED		5	96632179
GLAC2 L LED3 3500-840 BC EC BK PC PR	LED		5	96632180
GLAC2 L LED3 3500-840 BC EC GY PC PR	LED		5	96632181
GLAC2 L LED3 6000-830 BC EC BK PC PR	LED		5	96632182
GLAC2 L LED3 6000-830 BC EC GY PC PR	LED		5	96632183
GLAC2 L LED3 6000-840 BC EC BK PC PR	LED		5	96632184
GLAC2 L LED3 6000-840 BC EC GY PC PR	LED		5	96632185
GLAC2 L LED2 9300-830 BC EC BK PC PR	LED		5	96632186
GLAC2 L LED2 9300-830 BC EC GY PC PR	LED		5	96632187
GLAC2 L LED2 9300-840 BC EC BK PC PR	LED		5	96632188
GLAC2 L LED2 9300-840 BC EC GY PC PR	LED		5	96632189

### Glacier II, emergency, aluminium reflector

GLAC2 L LED3 3000-830 HFIX E3 BK AL BK	LED		5,1	96632445
GLAC2 L LED3 3000-830 HFIX E3 GY AL GY	LED		5,1	96632446
GLAC2 L LED3 3000-840 HFIX E3 BK AL BK	LED		5,1	96632447
GLAC2 L LED3 3000-840 HFIX E3 GY AL GY	LED		5,1	96632448
GLAC2 L LED3 5000-830 HFIX E3 BK AL BK	LED		5,1	96632449
GLAC2 L LED3 5000-830 HFIX E3 GY AL GY	LED		5,1	96632450
GLAC2 L LED3 5000-840 HFIX E3 BK AL BK	LED		5,1	96632451
GLAC2 L LED3 5000-840 HFIX E3 GY AL GY	LED		5,1	96632452
GLAC2 L LED3 3000-830 HFIX E3D BK AL BK	LED		5,1	96635206
GLAC2 L LED3 3000-830 HFIX E3D GY AL GY	LED		5,1	96635207
GLAC2 L LED3 3000-840 HFIX E3D BK AL BK	LED		5,1	96635208
GLAC2 L LED3 3000-840 HFIX E3D GY AL GY	LED		5,1	96635209
GLAC2 L LED3 5000-830 HFIX E3D BK AL BK	LED		5,1	96635210
GLAC2 L LED3 5000-830 HFIX E3D GY AL GY	LED		5,1	96635211
GLAC2 L LED3 5000-840 HFIX E3D BK AL BK	LED		5,1	96635212
GLAC2 L LED3 5000-840 HFIX E3D GY AL GY	LED		5,1	96635213

### Glacier II, emergency, aluminium reflector, basicDIM

GLAC2 L LED3 3000-830 BC E3 BK AL BK	LED		5,1	96632190
GLAC2 L LED3 3000-830 BC E3 GY AL GY	LED		5,1	96632191
GLAC2 L LED3 3000-840 BC E3 BK AL BK	LED		5,1	96632192
GLAC2 L LED3 3000-840 BC E3 GY AL GY	LED		5,1	96632193
GLAC2 L LED3 5000-830 BC E3 BK AL BK	LED		5,1	96632194

## Glacier II

Description	ILCOS Code	Socket	Wt (kg)	SAP Code
GLAC2 L LED3 5000-830 BC E3 GY AL GY	LED		5,1	96632195
GLAC2 L LED3 5000-840 BC E3 BK AL BK	LED		5,1	96632196
GLAC2 L LED3 5000-840 BC E3 GY AL GY	LED		5,1	96632197

### Glacier II, emergency, prismatic glass reflector

GLAC2 L LED3 3500-830 HFIX E3 BK GL PR	LED		7,1	96632453
GLAC2 L LED3 3500-830 HFIX E3 GY GL PR	LED		7,1	96632454
GLAC2 L LED3 3500-840 HFIX E3 BK GL PR	LED		7,1	96632455
GLAC2 L LED3 3500-840 HFIX E3 GY GL PR	LED		7,1	96632456
GLAC2 L LED3 6000-830 HFIX E3 BK GL PR	LED		7,1	96632457
GLAC2 L LED3 6000-830 HFIX E3 GY GL PR	LED		7,1	96632458
GLAC2 L LED3 6000-840 HFIX E3 BK GL PR	LED		7,1	96632459
GLAC2 L LED3 6000-840 HFIX E3 GY GL PR	LED		7,1	96632460
GLAC2 L LED3 3500-830 HFIX E3D BK GL PR	LED		7,1	96635214
GLAC2 L LED3 3500-830 HFIX E3D GY GL PR	LED		7,1	96635215
GLAC2 L LED3 3500-840 HFIX E3D BK GL PR	LED		7,1	96635216
GLAC2 L LED3 3500-840 HFIX E3D GY GL PR	LED		7,1	96635217
GLAC2 L LED3 6000-830 HFIX E3D BK GL PR	LED		7,1	96635218
GLAC2 L LED3 6000-830 HFIX E3D GY GL PR	LED		7,1	96635219
GLAC2 L LED3 6000-840 HFIX E3D BK GL PR	LED		7,1	96635220
GLAC2 L LED3 6000-840 HFIX E3D GY GL PR	LED		7,1	96635221

### Glacier II, emergency, prismatic glass reflector, basicDIM

GLAC2 L LED3 3500-830 BC E3 BK GL PR	LED		7,1	96632198
GLAC2 L LED3 3500-830 BC E3 GY GL PR	LED		7,1	96632199
GLAC2 L LED3 3500-840 BC E3 BK GL PR	LED		7,1	96632200
GLAC2 L LED3 3500-840 BC E3 GY GL PR	LED		7,1	96632201
GLAC2 L LED3 6000-830 BC E3 BK GL PR	LED		7,1	96632202
GLAC2 L LED3 6000-830 BC E3 GY GL PR	LED		7,1	96632203
GLAC2 L LED3 6000-840 BC E3 BK GL PR	LED		7,1	96632204
GLAC2 L LED3 6000-840 BC E3 GY GL PR	LED		7,1	96632205

### Glacier II, emergency, prismatic polycarbonate reflector

GLAC2 L LED3 3500-830 HFIX E3 BK PC PR	LED		5,3	96632461
GLAC2 L LED3 3500-830 HFIX E3 GY PC PR	LED		5,3	96632462
GLAC2 L LED3 3500-840 HFIX E3 BK PC PR	LED		5,3	96632463
GLAC2 L LED3 3500-840 HFIX E3 GY PC PR	LED		5,3	96632464
GLAC2 L LED3 6000-830 HFIX E3 BK PC PR	LED		5,3	96632465
GLAC2 L LED3 6000-830 HFIX E3 GY PC PR	LED		5,3	96632466
GLAC2 L LED3 6000-840 HFIX E3 BK PC PR	LED		5,3	96632467
GLAC2 L LED3 6000-840 HFIX E3 GY PC PR	LED		5,3	96632468
GLAC2 L LED3 3500-830 HFIX E3D BK PC PR	LED		5,3	96635222
GLAC2 L LED3 3500-830 HFIX E3D GY PC PR	LED		5,3	96635223
GLAC2 L LED3 3500-840 HFIX E3D BK PC PR	LED		5,3	96635224
GLAC2 L LED3 3500-840 HFIX E3D GY PC PR	LED		5,3	96635225
GLAC2 L LED3 6000-830 HFIX E3D BK PC PR	LED		5,3	96635226
GLAC2 L LED3 6000-830 HFIX E3D GY PC PR	LED		5,3	96635227
GLAC2 L LED3 6000-840 HFIX E3D BK PC PR	LED		5,3	96635228

## Glacier II

Description	ILCOS Code	Socket	Wt (kg)	SAP Code
GLAC2 L LED3 6000-840 HFIX E3D GY PC PR	LED		5,3	96635229
<b>Glacier II, emergency, prismatic polycarbonate reflector, basicDIM</b>				
GLAC2 L LED3 3500-830 BC E3 BK PC PR	LED		5,3	96632206
GLAC2 L LED3 3500-830 BC E3 GY PC PR	LED		5,3	96632207
GLAC2 L LED3 3500-840 BC E3 BK PC PR	LED		5,3	96632208
GLAC2 L LED3 3500-840 BC E3 GY PC PR	LED		5,3	96632209
GLAC2 L LED3 6000-830 BC E3 BK PC PR	LED		5,3	96632210
GLAC2 L LED3 6000-830 BC E3 GY PC PR	LED		5,3	96632211
GLAC2 L LED3 6000-840 BC E3 BK PC PR	LED		5,3	96632212
GLAC2 L LED3 6000-840 BC E3 GY PC PR	LED		5,3	96632213
<b>Glacier II Accessories</b>				
THORN CEILING ROSE GY WH			0,5	96205307
THORN CEILING ROSE BK WH			0,5	96629782
THORN CEILING ROSE BK BK			0,5	96632738
THORN CEILING ROSE WH WH			0,5	96632739
THORN CEILING ROSE GY GY			0,5	96632740