

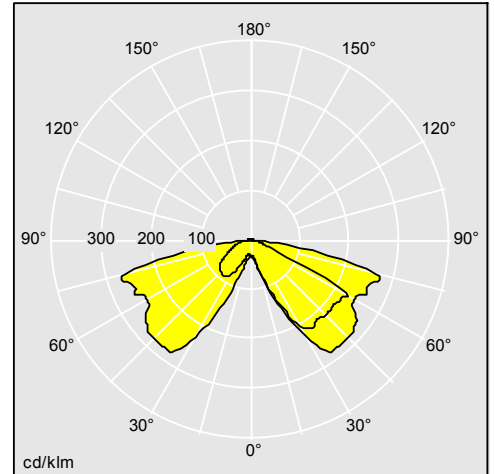
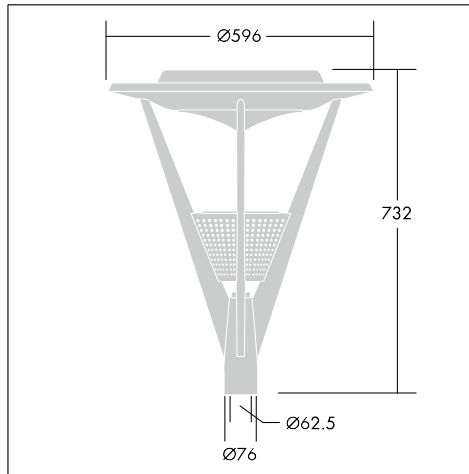
## Avenue D2

**An elegant and efficient lantern with a drop like enclosure to provide a unique lighting signature and comfortable light**

- IDA Dark Sky Approved
- \*IDA fixture seal of approval relates to  $\leq 3000$  K only and clear enclosures. Luminaires must be mounted as photometered.
- Respectful of the environment with warm color temperature and reduced upward lighting  $<1\%$  with dedicated optics (RSC, CST)
- Zd4i certified on request
- Decorative lampshield in copper or steel to create your own identity



Photographs, line drawings and photometric data are representative only. For specific product detail please select an individual product.



96261370

### Material/Finish

Base and arms: die cast aluminium (EN AC-46000, standard corrosion class C3).

Canopy: spun aluminium.

Finish: powder coated anthracite textured grey 900 (close to RAL7043). Via myProduct: Texturized light grey (GY), Black (BK) and 48 other RAL possibilities

Lampshiled: metallised PC with copper or stainless steel, special varnish to prevent ageing effect and preserve the initial gloss appearance.

Diffuser: UV stabilised PC frosted or clear polycarbonate

Reflector and mirrors (street distribution): high reflective anodised aluminium.

Screw fixings: stainless steel.

### Installation/Mounting

Post top mounting: on spigot/columns Ø60mm. Recommended height: 3/4m, coordinated Avenue wall bracket. Spigot: 60mm (length: 90mm). Access to gear and LED module (replaceable) via 4 screws from the canopy. Product supplied with connector below the lantern or pre-wired with HO5 RN-F cable. Delivered ready to install, complete with factory fitted integral gear, all supplied in one box.

### Specification

To specify state:

Decorative post-top LED lantern with clear or frosted diffuser, copper or stainless steel finish lampshields. Street or symmetrical distributions including specific optics to target low ULOR.

/ Bi-Power (BP) / Constant Light Output (CLO)/Bi-power Switch (BS)/ Zhaga interface Up (ZU)

Dedicated wall mounted bracket.

As Thorn Avenue D2

## Avenue D2

**Ordering Guide** Supplied complete with LEDs

Description	ILCOS Code	Socket	Wt (kg)	SAP Code
<b>Avenue D2 Symmetrical optic, copper lampshield</b>				
<AVD 18L35-740 RS BS 3550 CL2 CU CON ANT	LED		8,6	96261356
<AVD 18L50-740 RS BS 3550 CL2 CU CON ANT	LED		8,6	96261357
<AVD 18L70-740 RS BS 3550 CL2 CU CON ANT	LED		8,6	96261358
<AVD 18L35-730 RS BS 3550 CL2 CU CON ANT	LED		8,6	96261359
<AVD 18L50-730 RS BS 3550 CL2 CU CON ANT	LED		8,6	96261360
<AVD 18L70-730 RS BS 3550 CL2 CU CON ANT	LED		8,6	96261361
<AVD 18L35 730 RS BS 3550 CL2 CU N4M ANT	LED		9	96261380
AVD 18L50 730 RS BS 3550 CL2 CU N4M ANT	LED		9	96261381
<AVD 18L70 730 RS BS 3550 CL2 CU N4M ANT	LED		9	96261382
<AVD 18L35-740 RS BS 3550 CL1 CU CON ANT	LED		8,6	96261392
<AVD 18L50-740 RS BS 3550 CL1 CU CON ANT	LED		8,6	96261393
<AVD 18L70-740 RS BS 3550 CL1 CU CON ANT	LED		8,6	96261394
<AVD 18L35-730 RSC BS 3550 CL2 CU CON ->	LED		8,6	96633405
<AVD 18L50-730 RSC BS 3550 CL2 CU CON ->	LED		8,6	96633406
<AVD 18L70-730 RSC BS 3550 CL2 CU CON ->	LED		8,6	96633407
<b>Avenue D2 Symmetrical optic, stainless steel lampshield</b>				
<AVD 18L35-740 RS BS 3550 CL2 ST CON ANT	LED		8,6	96261362
<AVD 18L50-740 RS BS 3550 CL2 ST CON ANT	LED		8,6	96261363
<AVD 18L70-740 RS BS 3550 CL2 ST CON ANT	LED		8,6	96261364
<AVD 18L35-730 RS BS 3550 CL2 ST CON ANT	LED		8,6	96261365
<AVD 18L50-730 RS BS 3550 CL2 ST CON ANT	LED		8,6	96261366
<AVD 18L70-730 RS BS 3550 CL2 ST CON ANT	LED		8,6	96261367
<AVD 18L35 730 RS BS 3550 CL2 ST N4M ANT	LED		9	96261383
<AVD 18L50 730 RS BS 3550 CL2 ST N4M ANT	LED		9	96261384
<AVD 18L70 730 RS BS 3550 CL2 ST N4M ANT	LED		9	96261385
<AVD 18L35-740 RS BS 3550 CL1 ST CON ANT	LED		8,6	96261395
<AVD 18L50-740 RS BS 3550 CL1 ST CON ANT	LED		8,6	96261396
<AVD 18L70-740 RS BS 3550 CL1 ST CON ANT	LED		8,6	96261397
<AVD 18L35-730 RSC BS 3550 CL2 ST CON ->	LED		8,6	96633402
<AVD 18L50-730 RSC BS 3550 CL2 ST CON ->	LED		8,6	96633403
<AVD 18L70-730 RSC BS 3550 CL2 ST CON ->	LED		8,6	96633404
<AVD 18L35-730 RS CL1 ST CON ANT	LED		8,8	96679933
<AVD 18L50-730 RS CL1 ST CON ANT	LED		8,8	96679934
<AVD 18L70-730 RS CL1 ST CON ANT	LED		8,8	96679935
<AVD 18L35-730 RS CL2 ST CON ANT	LED		8,8	96679936
<AVD 18L50-730 RS CL2 ST CON ANT	LED		8,8	96679937
<AVD 18L70-730 RS CL2 ST CON ANT	LED		8,8	96679938
<b>Avenue D2 Asymmetrical (street) optic, copper lampshield</b>				
<AVD 18L35-740 WST BS 3550 CL2 CU CON AN	LED		8,6	96261368
<AVD 18L50-740 WST BS 3550 CL2 CU CON AN	LED		8,6	96261369
<AVD 18L70-740 WST BS 3550 CL2 CU CON AN	LED		8,6	96261370
<AVD 18L35-730 WST BS 3550 CL2 CU CON AN	LED		8,6	96261371
<AVD 18L50-730 WST BS 3550 CL2 CU CON AN	LED		8,6	96261372

## Avenue D2

Description	ILCOS Code	Socket	Wt (kg)	SAP Code
<AVD 18L70-730 WST BS 3550 CL2 CU CON AN	LED		8,6	96261373
<AVD 18L35 730 WST BS 3550 CL2 CU N4M AN	LED		9	96261386
<AVD 18L50 730 WST BS 3550 CL2 CU N4M AN	LED		9	96261387
<AVD 18L70 730 WST BS 3550 CL2 CU N4M AN	LED		9	96261388
<AVD 18L35-740 WST BS 3550 CL1 CU CON AN	LED		8,6	96261398
<AVD 18L50-740 WST BS 3550 CL1 CU CON AN	LED		8,6	96261399
<AVD 18L70-740 WST BS 3550 CL1 CU CON AN	LED		8,6	96261400
<b>Avenue D2 Asymmetrical (street) optic, stainless steel lampshield</b>				
<AVD 18L35-740 WST BS 3550 CL2 ST CON AN	LED		8,6	96261374
<AVD 18L50-740 WST BS 3550 CL2 ST CON AN	LED		8,6	96261375
<AVD 18L70-740 WST BS 3550 CL2 ST CON AN	LED		8,6	96261376
<AVD 18L35-730 WST BS 3550 CL2 ST CON AN	LED		8,6	96261377
<AVD 18L50-730 WST BS 3550 CL2 ST CON AN	LED		8,6	96261378
<AVD 18L70-730 WST BS 3550 CL2 ST CON AN	LED		8,6	96261379
<AVD 18L35 730 WST BS 3550 CL2 ST N4M AN	LED		9	96261389
<AVD 18L50 730 WST BS 3550 CL2 ST N4M AN	LED		9	96261390
<AVD 18L70 730 WST BS 3550 CL2 ST N4M AN	LED		9	96261391
<AVD 18L35-740 WST BS 3550 CL1 ST CON AN	LED		8,6	96261401
<AVD 18L50-740 WST BS 3550 CL1 ST CON AN	LED		8,6	96261402
<AVD 18L70-740 WST BS 3550 CL1 ST CON AN	LED		8,6	96261403
<b>Avenue D2 Accessories</b>				
<AVENUE D BRA MWA TX ANT			4	96005422