

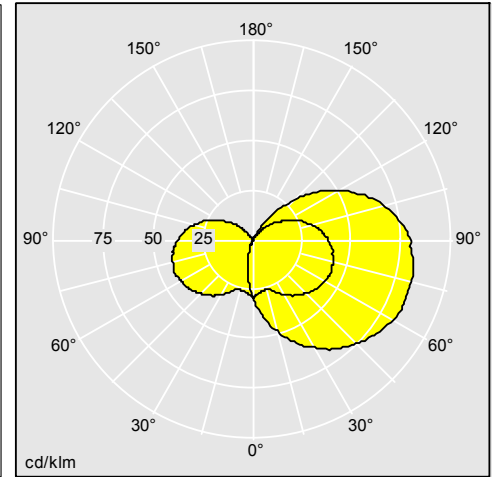
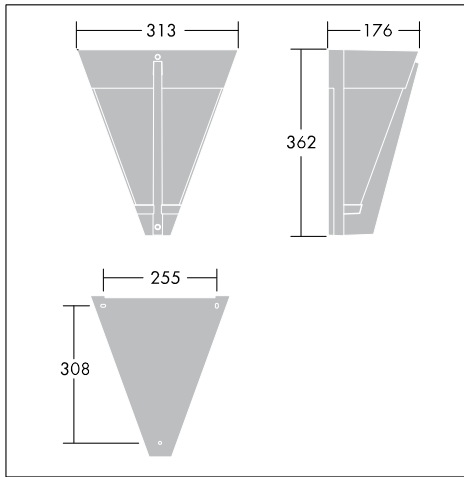
Avenue Wall 300 II

Elegant wall light, complementing the Avenue Deco post top lantern range

- Sealed to IP65.



Photographs, line drawings and photometric data are representative only. For specific product detail please select an individual product.



96258553

Material/Finish

Body: cast aluminium (EN AC-46000, standard corrosion class C3), sanded grey (close to RAL7043)
 Internal reflector: anodised aluminium
 Diffuser: opal polycarbonate

Installation/Mounting

Mounts directly to wall via 3 screws (provided). Glands suitable for loop-in / loop-out wiring with Ø8-12mm cable.

Specification

To specify state:

Aluminium bodied, semi-conical wall light for surface mounting with opal polycarbonate diffuser.
 As Thorn Avenue Wall 300 II

Avenue Wall 300 II

Ordering Guide Lamps to be ordered separately (except LED)

Description	ILCOS Code	Socket	Wt (kg)	SAP Code
Avenue Wall 300 II				
AVENUE W300 II LED 12L35 740 CL2	LED		3,42	96259038
AVENUE W300 II LED 12L35 730 CL2	LED		3,42	96258554