

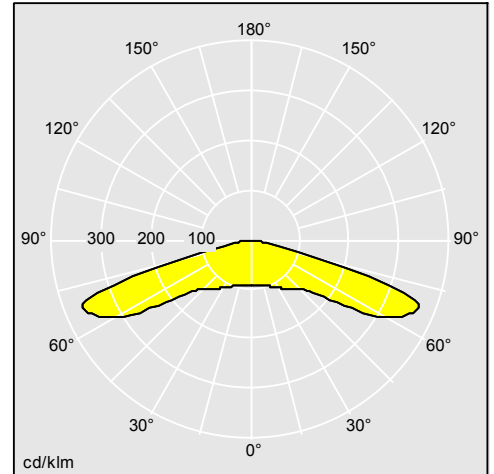
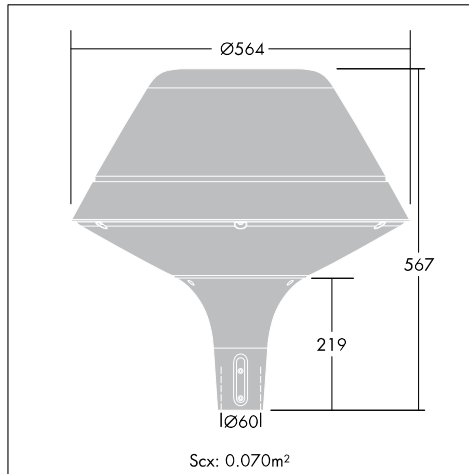
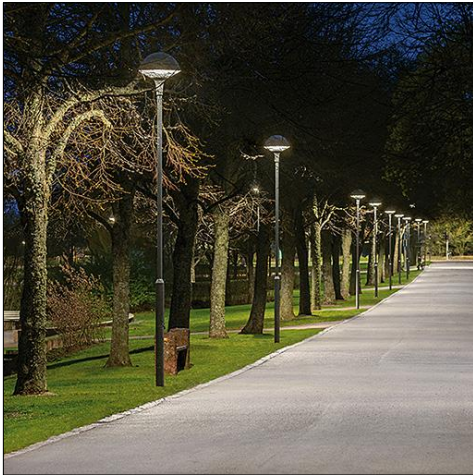
Plurio

Versatile post-top lantern, dark sky compliant offering Nighttune technology

- IDA Dark Sky Approved
- *IDA fixture seal of approval relates to ≤ 3000 K only and clear enclosures. Luminaires must be mounted as photometered.
- High versatility with a choice of four canopy designs : original, round, flat and disc
- Direct or indirect lighting
- Nighttune technology
- Zd4i certified on request



Photographs, line drawings and photometric data are representative only. For specific product detail please select an individual product.



96272421

Material/Finish

Base and canopy: die-cast aluminium

Via the configurator: texturized anthracite, black (R9005) and light grey and 48 other RAL possibilities

Ø60 mm: EN AC-44300, standard corrosion class C5 according to ISO 9223: 2012. Ø76 mm: EN AC-47100, standard corrosion class C3

Diffuser: clear UV stabilized polycarbonate with anti glare prisms on the outer part

Internal reflector and cable pipe: white highly reflective ABS (plastic)

Mirrors (asymmetrical version): high reflective anodised aluminium

Screw fixings: stainless steel

Installation/Mounting

Post top mounting. Recommended height: 3-4m

Spigot: 60mm (length: 75mm) or 76mm (length: 100mm)

Dedicated range of columns and brackets

Access to LEDs and gear via 3 screws below the bowl

Pre-wired versions available via configurator

Delivered in one carton ready to install, complete with factory fitted integral gear.

Specification

To specify state:

Decorative post-top lantern ULOR 0/ DALI2 / Connectivity with Zhaga or Nema interface/ LRT / Bi Power / Bi Power Switch / CLO

As Thorn Plurio

Plurio

Ordering Guide Supplied complete with LEDs.

Description	ILCOS Code	Socket	Wt (kg)	SAP Code
Plurio Indirect, Symmetrical optic, original canopy				
PLI O 24L70-722-40 R/S T60 CL1 ANT	LED		9,5	96668684
PLI O 24L70-722-40 R/S T60 CL2 ANT	LED		9,5	96668685
PLI O 24L50-722-40 R/S T60 CL1 ANT	LED		9,5	96668686
PLI O 24L50-722-40 R/S T60 CL2 ANT	LED		9,5	96668687
PLI O 24L35-722-40 R/S T60 CL2 ANT	LED		9,5	96668689
PLI O 24L25-740 R/S BS 3550 T60 CL1 ANT	LED		9,5	96668674
PLI O 24L25-740 R/S BS 3550 T60 CL2 ANT	LED		9,5	96668675
PLI O 24L35-740 R/S BS 3550 T60 CL1 ANT	LED		9,5	96668676
PLI O 24L35-740 R/S BS 3550 T60 CL2 ANT	LED		9,5	96668677
PLI O 24L50-740 R/S BS 3550 T60 CL1 ANT	LED		9,5	96668678
PLI O 24L50-740 R/S BS 3550 T60 CL2 ANT	LED		9,5	96668679
PLI O 24L60-740 R/S BS 3550 T60 CL1 ANT	LED		9,5	96668680
PLI O 24L60-740 R/S BS 3550 T60 CL2 ANT	LED		9,5	96668681
PLI O 24L70-740 R/S BS 3550 T60 CL1 ANT	LED		9,5	96668682
PLI O 24L70-740 R/S BS 3550 T60 CL2 ANT	LED		9,5	96668683
PLI O 24L70-740 R/S BS 3550 CL1 T76 ANT	LED		8,2	96632810
PLI O 24L25-740 R/S BS 3550 T76 CL1 ANT	LED		9,5	92920861
PLI O 24L35-740 R/S BS 3550 T76 CL1 ANT	LED		9,5	92920865
PLI O 24L35-722-40 R/S T76 CL1 ANT	LED		9,5	92920869
PLI O 24L50-740 R/S BS 3550 T76 CL1 ANT	LED		9,5	92920876
PLI O 24L50-722-40 R/S T76 CL1 ANT	LED		9,5	92920880
PLI O 24L70-722-40 R/S T76 CL1 ANT	LED		9,5	92920895
Plurio Indirect, Symmetrical optic, round canopy				
PLI R 24L25-740 R/S BS 3550 T60 CL1 ANT	LED		9,5	96668690
PLI R 24L25-740 R/S BS 3550 T60 CL2 ANT	LED		9,5	96668691
PLI R 24L35-740 R/S BS 3550 T60 CL1 ANT	LED		9,5	96668692
PLI R 24L35-740 R/S BS 3550 T60 CL2 ANT	LED		9,5	96668693
PLI R 24L50-740 R/S BS 3550 T60 CL1 ANT	LED		9,5	96668694
PLI R 24L50-740 R/S BS 3550 T60 CL2 ANT	LED		9,5	96668695
PLI R 24L60-740 R/S BS 3550 T60 CL1 ANT	LED		9,5	96668696
PLI R 24L60-740 R/S BS 3550 T60 CL2 ANT	LED		9,5	96668697
PLI R 24L70-740 R/S BS 3550 T60 CL1 ANT	LED		9,5	96668698
PLI R 24L70-740 R/S BS 3550 T60 CL2 ANT	LED		9,5	96668699
PLI R 24L70-722-40 R/S T60 CL1 ANT	LED		9,5	96668700
PLI R 24L70-722-40 R/S T60 CL2 ANT	LED		9,5	96668701
PLI R 24L50-722-40 R/S T60 CL1 ANT	LED		9,5	96668702
PLI R 24L50-722-40 R/S T60 CL2 ANT	LED		9,5	96668703
PLI R 24L35-722-40 R/S T60 CL1 ANT	LED		9,5	96668704
PLI R 24L35-722-40 R/S T60 CL2 ANT	LED		9,5	96668705
PLI R 24L25-740 R/S BS 3550 T76 CL1 ANT	LED		8,76	92920864
PLI R 24L35-740 R/S BS 3550 T76 CL1 ANT	LED		8,76	92920866
PLI R 24L35-722-40 R/S T76 CL1 ANT	LED		9,11	92920870
PLI R 24L50-740 R/S BS 3550 T76 CL1 ANT	LED		8,2	92920877
PLI R 24L50-722-40 R/S T76 CL1 ANT	LED		9,11	92920881
PLI R 24L70-740 R/S BS 3550 T76 CL1 ANT	LED		8,2	92920891

Plurio

Description	ILCOS Code	Socket	Wt (kg)	SAP Code
PLI R 24L70-722-40 R/S T76 CL1 ANT	LED		9,11	92920896
Plurio Indirect, Symmetrical optic, flat canopy				
PLI F 24L25-740 R/S BS 3550 T60 CL1 ANT	LED		11	96668610
PLI F 24L25-740 R/S BS 3550 T60 CL2 ANT	LED		11	96668611
PLI F 24L35-740 R/S BS 3550 T60 CL1 ANT	LED		11	96668612
PLI F 24L35-740 R/S BS 3550 T60 CL2 ANT	LED		11	96668613
PLI F 24L50-740 R/S BS 3550 T60 CL1 ANT	LED		11	96668614
PLI F 24L50-740 R/S BS 3550 T60 CL2 ANT	LED		11	96668615
PLI F 24L60-740 R/S BS 3550 T60 CL1 ANT	LED		11	96668616
PLI F 24L60-740 R/S BS 3550 T60 CL2 ANT	LED		11	96668617
PLI F 24L70-740 R/S BS 3550 T60 CL1 ANT	LED		11	96668618
PLI F 24L70-740 R/S BS 3550 T60 CL2 ANT	LED		11	96668619
PLI F 24L70-722-40 R/S T60 CL1 ANT	LED		11	96668620
PLI F 24L70-722-40 R/S T60 CL2 ANT	LED		11	96668621
PLI F 24L50-722-40 R/S T60 CL1 ANT	LED		11	96668622
PLI F 24L50-722-40 R/S T60 CL2 ANT	LED		11	96668623
PLI F 24L35-722-40 R/S T60 CL1 ANT	LED		11	96668624
PLI F 24L35-722-40 R/S T60 CL2 ANT	LED		11	96668625
PLI F 24L35-830 R/S BS 3550 T60 CL2 ->	LED		6,7	92916445
PLI F 24L35-722 R/S BS 3550 T60 CL2 ->	LED		6,7	92916460
PLI F 24L25-740 R/S BS 3550 T76 CL1 ANT	LED		7,26	92920863
PLI F 24L35-740 R/S BS 3550 T76 CL1 ANT	LED		6,7	92920867
PLI F 24L35-722-40 R/S T76 CL1 ANT	LED		7,61	92920871
PLI F 24L50-740 R/S BS 3550 T76 CL1 ANT	LED		7,26	92920878
PLI F 24L50-722-40 R/S T76 CL1 ANT	LED		7,61	92920882
PLI F 24L70-740 R/S BS 3550 T76 CL1 ANT	LED		6,75	92920892
PLI F 24L70-722-40 R/S T76 CL1 ANT	LED		7,61	92920897
Plurio Indirect, Symmetrical optic, disc canopy				
PLI D 24L25-740 R/S BS 3550 T60 CL1 ANT	LED		11	96668626
PLI D 24L25-740 R/S BS 3550 T60 CL2 ANT	LED		11	96668627
PLI D 24L35-740 R/S BS 3550 T60 CL1 ANT	LED		11	96668628
PLI D 24L35-740 R/S BS 3550 T60 CL2 ANT	LED		11	96668629
PLI D 24L50-740 R/S BS 3550 T60 CL1 ANT	LED		11	96668630
PLI D 24L50-740 R/S BS 3550 T60 CL2 ANT	LED		11	96668631
PLI D 24L60-740 R/S BS 3550 T60 CL1 ANT	LED		11	96668632
PLI D 24L60-740 R/S BS 3550 T60 CL2 ANT	LED		11	96668633
PLI D 24L70-740 R/S BS 3550 T60 CL1 ANT	LED		11	96668634
PLI D 24L70-740 R/S BS 3550 T60 CL2 ANT	LED		11	96668635
PLI D 24L35-722-40 R/S T60 CL1 ANT	LED		11	96668636
PLI D 24L35-722-40 R/S T60 CL2 ANT	LED		11	96668637
PLI D 24L50-722-40 R/S T60 CL1 ANT	LED		11	96668638
PLI D 24L50-722-40 R/S T60 CL2 ANT	LED		11	96668639
PLI D 24L70-722-40 R/S T60 CL1 ANT	LED		11	96668640
PLI D 24L70-722-40 R/S T60 CL2 ANT	LED		11	96668641
PLI D 24L50-830 R/S BS 3550 T60 CL2 ->	LED		6,7	92916458
PLI D 24L50-722 R/S BS 3550 T60 CL2 ->	LED		6,7	92916459

Plurio

Description	ILCOS Code	Socket	Wt (kg)	SAP Code
PLI D 24L35-830 R/S BS 3550 T60 CL2 ->	LED		6,7	92916449
PLI D 24L35-722 R/S BS 3550 T60 CL2 ->	LED		6,7	92916450
PLI D 24L35-722-40 R/S T60 CL2 WS4 GY	LED		6,7	92916451
PLI D 24L35-830 R/S BS 3550 T60 CL2 ->	LED		6,7	92916455
PLI D 24L35-722 R/S BS 3550 T60 CL2 ->	LED		6,7	92916456
PLI D 24L25-740 R/S BS 3550 T76 CL1 ANT	LED		7,26	92920862
PLI D 24L35-740 R/S BS 3550 T76 CL1 ANT	LED		7,26	92920868
PLI D 24L35-722-40 R/S T76 CL1 ANT	LED		7,61	92920872
PLI D 24L50-740 R/S BS 3550 T76 CL1 ANT	LED		7,26	92920879
PLI D 24L50-722-40 R/S T76 CL1 ANT	LED		7,61	92920883
PLI D 24L70-740 R/S BS 3550 T76 CL1 ANT	LED		7,26	92920893
PLI D 24L70-722-40 R/S T76 CL1 ANT	LED		7,61	92920898
Plurio Indirect, Street optic, flat canopy				
PLI F 24L35-830 EWC-B BS 3550 T60 CL2 ->	LED		6,7	92916448
Plurio Indirect, Street optic, disc canopy				
PLI D 24L35-830 EWC-B BS 3550 T60 CL2 ->	LED		6,7	92916453
PLI D 24L35-830 EWC-B BS 3550 T60 CL2 ->	LED		6,7	92916454
Plurio Direct, Symmetrical optic, original canopy				
PLD O 18L35-740 R/S BS 3550 T60 CL1 GY	LED		9,5	96260708
PLD O 18L35-740 R/S BS 3550 T60 CL2 GY	LED		9,5	96260711
PLD O 18L70-740 R/S BS 3550 T60 CL1 GY	LED		9,5	96260674
PLD O 18L70-740 R/S BS 3550 T60 CL2 GY	LED		9,5	96260678
PLD O 18L50-740 R/S BS 3550 T60 CL1 GY	LED		9,5	96260722
PLD O 18L70-730 R/S BS 3550 T60 CL2 GY	LED		7,4	96265473
PLD O 18L50-730 R/S BS 3550 T60 CL2 GY	LED		7,2	96265514
PLD O 18L105-740 R/S BS 3550 T60 CL1 GY	LED		9,5	96272421
PLD O 18L105-740 R/S BS 3550 T60 CL2 GY	LED		9,5	96272430
PLD O 18L105-730 R/S BS 3550 T60 CL2 GY	LED		7,8	96272429
PLD O 18L35-740 R/S BS 3550 T76 CL1 GY	LED		9,5	92920900
Plurio Direct, Symmetrical optic, round canopy				
PLD R 18L70-740 R/S BS 3550 T60 CL2 GY	LED		9,5	96260700
PLD R 18L70-740 R/S BS 3550 T60 CL1 GY	LED		9,5	96260690
PLD R 18L35-740 R/S BS 3550 T60 CL2 GY	LED		9,5	96260718
PLD R 18L50-740 R/S BS 3550 T60 CL2 GY	LED		9,5	96260732
PLD R 18L105-740 R/S BS 3550 T60 CL1 GY	LED		9,5	96272440
PLD R 18L105-740 R/S BS 3550 T60 CL2 GY	LED		9,5	96272444
PLD R 18L35-740 R/S BS 3550 T60 CL1 GY	LED		9,5	96668666
PLD R 18L50-740 R/S BS 3550 T60 CL1 GY	LED		9,5	96668668
PLD R 18L35-740 R/S BS 3550 T76 CL1 GY	LED		9,5	92920901
PLD R 18L105-740 R/S BS 3550 T76 CL1 GY	LED		9,5	92920907
PLD R 18L50-740 R/S BS 3550 T76 CL1 GY	LED		9,5	92920910
PLD R 18L70-740 R/S BS 3550 T76 CL1 GY	LED		9,5	92920913
Plurio Direct, Symmetrical optic, flat canopy				
PLD F 18L35-740 R/S BS 3550 T60 CL1 GY	LED		11	96668642
PLD F 18L35-740 R/S BS 3550 T60 CL2 GY	LED		11	96668643

Plurio

Description	ILCOS Code	Socket	Wt (kg)	SAP Code
PLD F 18L50-740 R/S BS 3550 T60 CL1 GY	LED		11	96668644
PLD F 18L50-740 R/S BS 3550 T60 CL2 GY	LED		11	96668645
PLD F 18L70-740 R/S BS 3550 T60 CL1 GY	LED		11	96668646
PLD F 18L70-740 R/S BS 3550 T60 CL2 GY	LED		11	96668647
PLD F 18L105-740 R/S BS 3550 T60 CL1 GY	LED		11	96668648
PLD F 18L105-740 R/S BS 3550 T60 CL2 GY	LED		11	96668649
PLD F 18L35-740 R/S BS 3550 T76 CL1 GY	LED		11	92920903
PLD F 18L105-740 R/S BS 3550 T76 CL1 GY	LED		11	92920908
PLD F 18L50-740 R/S BS 3550 T76 CL1 GY	LED		11	92920911
PLD F 18L70-740 R/S BS 3550 T76 CL1 GY	LED		11	92920914
Plurio Direct, Symmetrical optic, disc canopy				
PLD D 18L35-740 R/S BS 3550 T60 CL1 GY	LED		11	96668650
PLD D 18L35-740 R/S BS 3550 T60 CL2 GY	LED		11	96668651
PLD D 18L50-740 R/S BS 3550 T60 CL1 GY	LED		11	96668652
PLD D 18L50-740 R/S BS 3550 T60 CL2 GY	LED		11	96668653
PLD D 18L70-740 R/S BS 3550 T60 CL1 GY	LED		11	96668654
PLD D 18L70-740 R/S BS 3550 T60 CL2 GY	LED		11	96668655
PLD D 18L105-740 R/S BS 3550 T60 CL1 GY	LED		11	96668656
PLD D 18L105-740 R/S BS 3550 T60 CL2 GY	LED		11	96668657
PLD D 18L35-740 R/S BS 3550 T76 CL1 GY	LED		11	92920904
PLD D 18L105-740 R/S BS 3550 T76 CL1 GY	LED		11	92920909
PLD D 18L50-740 R/S BS 3550 T76 CL1 GY	LED		11	92920912
PLD D 18L70-740 R/S BS 3550 T76 CL1 GY	LED		11	92920915
Plurio Direct, Street optic, original canopy				
PLD O 18L70-730 WST BS 3550 T60 CL2 GY	LED		7,2	96265474
PLD O 18L50-730 WST BS 3550 T60 CL2 GY	LED		7,2	96265515