

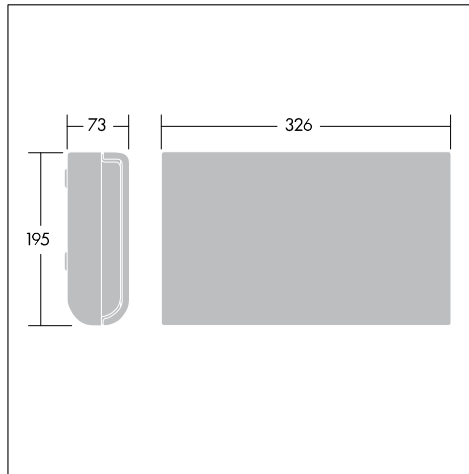
Voyager Sigma

High performance exit sign with LED and self or central automatic test options

- A hinged steel gear tray makes installation and maintenance easy.
- Available with a choice of ISO or EU exit legend panels
- Printed legend panel clips behind diffuser for easy maintenance
- LED variants utilise "green" NiMh batteries



Photographs, line drawings and photometric data are representative only. For specific product detail please select an individual product.



Material/Finish

Body: polycarbonate with alternative finishes in either RAL9010 white or RAL9006 metallic silver
Diffuser and legend panel: polycarbonate

Installation/Mounting

Wall mounted with 20mm conduit or rear back box entry.

Specification

To specify state:

Sign for viewing up to 30m distance, maintained operation, available as manual or self/addressable test capability. 3 hours emergency duration with either 8W T16 lamp or LED strip. With choice of European or International format Exit legends.

As Thorn Voyager Sigma.

Voyager Sigma

Ordering Guide Supplied complete with lamp for complete luminaire order body + legend

Description	ILCOS Code	Socket	Wt (kg)	SAP Code
Voyager Sigma				
VOYAGER SIGMA LED E3M WHI	LED		1,4	96233813
VOYAGER SIGMA LED E3M SIL	LED		1,4	96233814
VOYAGER SIGMA LED E3TX WHI	LED		1,4	96233815
VOYAGER SIGMA LED E3TX SIL	LED		1,4	96233816
Voyager Sigma Legends				
VOYAGER SIGMA LEG ISO UP			0,1	96236785
VOYAGER SIGMA LEG ISO DOWN			0,1	96236786
VOYAGER SIGMA LEG ISO LEFT			0,1	96236787
VOYAGER SIGMA LEG ISO RIGHT			0,1	96236788
Voyager Sigma Spares				
SPARE 3 Cell Batt Nickel Metal Hydride			2,45	59006131