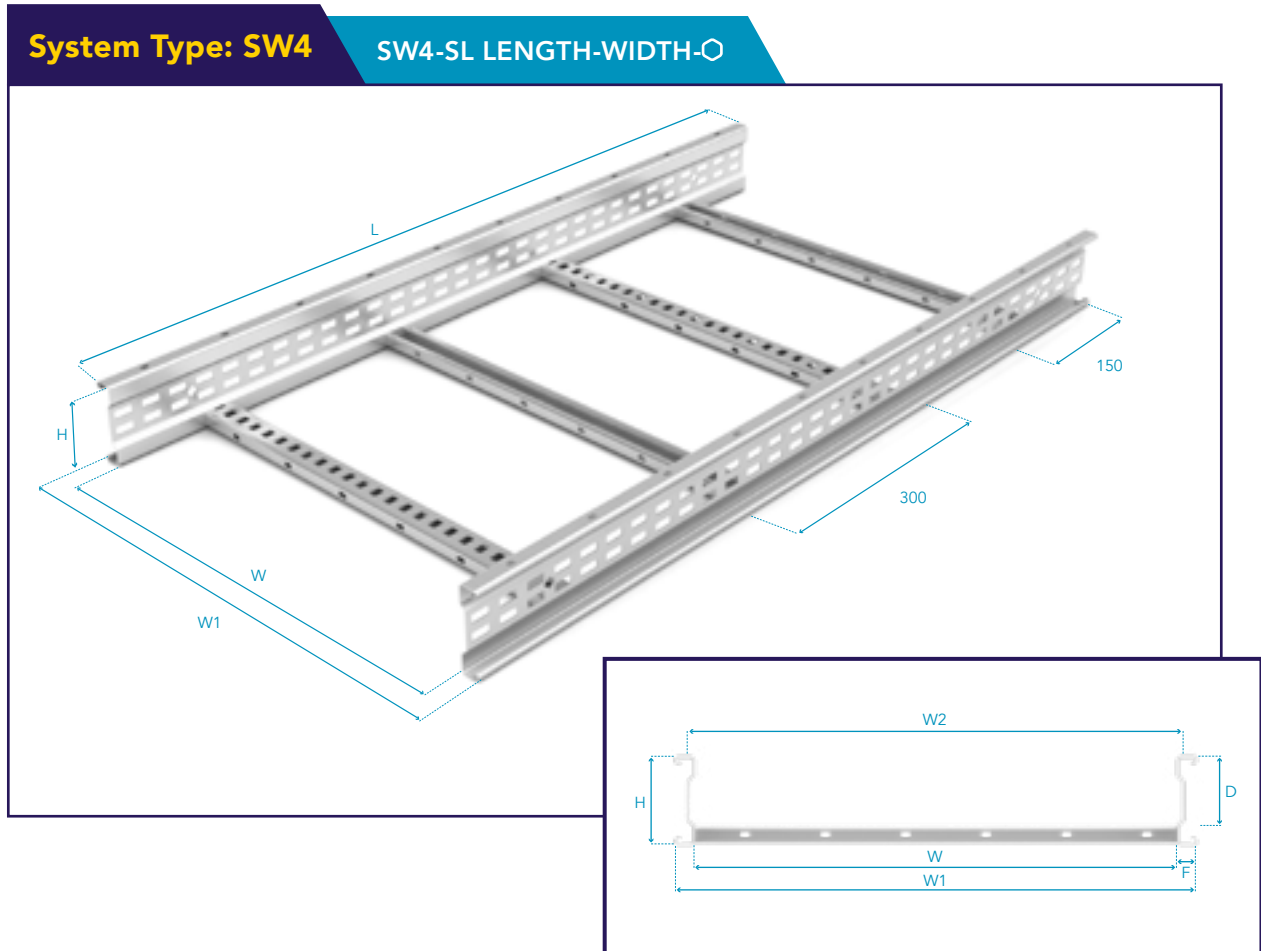


Speedway SW4 Cable Ladder

Speedway 4 (SW4) Medium Duty Cable Ladder is manufactured in 3.0m lengths as standard with 6.0m lengths to order. The cable ladder is available in standard widths of 150mm, 300mm, 450mm, 600mm, 750mm and 900mm, widths of 100mm up to 1050mm, in 50mm increments, are available to order. Rung spacing is 300mm as standard.



System Type: SW4 SW4-SL LENGTH-WIDTH-O

Part Number	No. of Rungs	Dimensions (mm)				Weight (kg)
		W	W1	L	H	
SW4-SL3-150-O	10	150	200	3000	110	14.26
SW4-SL3-300-O		300	350			15.92
SW4-SL3-450-O		450	500			17.59
SW4-SL3-600-O		600	650			19.25
SW4-SL3-750-O		750	800			23.69
SW4-SL3-900-O		900	950			25.91

O = Select a Finish & Material

Weights shown are for standard hot dip galvanised finish only, for Stainless Steel and Silicon Rich Steel weight conversion factors please refer to the Engineering Data Section of our catalogue (Page 213).

Height	H	110mm
Loading Depth	D	85mm
Ladder Width	W	100mm to 1050mm
Maximum Internal Width	W2	W + 14mm
Overall Width	W1	W + 50mm
Flange Width	F	25mm



Supplied with:

FIXING SETS x0