

Straight Tray

Vantrunk Cable Tray is available in widths from 50mm to 900mm. The width is measured internally between the side walls.

Vantrunk Straight Cable Tray is available in standard lengths of 3m.

The Vantrunk Cable Tray features a slot pattern which is standard across the range of cable trays. Based on a repeating pattern of 12mm by 8mm width wise slots and 20mm by 8mm length wise, the Vantrunk Cable

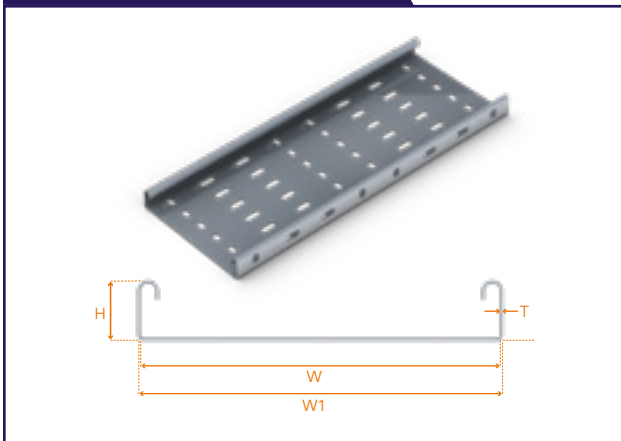
Tray slot pattern suits cable ties, banding and cable cleats with M6 fixings. See the Cable Tray Engineering Section for details.

Vantrunk Medium Duty return flange Cable Tray is suitable for applications where medium duty cable loads are to be supported over short to medium spans. Vantrunk Heavy Duty return flange cable tray is suitable for applications where heavy duty cable loads are to be supported over longer spans.

Medium Duty Return Flange Straight Tray

Gauge & weights are given for the hot dip galvanised mild steel cable tray. Refer to the Engineering Data Section (Page 227) for other materials and gauges.

System Type: MR-SL3



Part Number	Tray Width mm	W mm	W1 mm	H mm	T mm	Weight (kg)
MR-SL3-50-○	50	50	51.8	25	0.9	2.48
MR-SL3-75-○	75	75	76.8			3.00
MR-SL3-100-○	100	100	101.8			3.52
MR-SL3-150-○	150	150	151.8			4.56
MR-SL3-200-○	200	200	201.8			5.60
MR-SL3-225-○	225	225	226.8		6.12	
MR-SL3-300-○	300	300	302.4	1.2	10.24	

○ = Select a Finish & Material

Finishes & Materials:



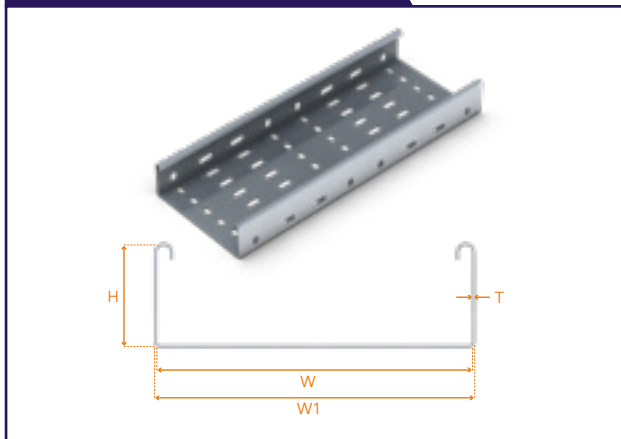
Supplied with:



Heavy Duty Return Flange Straight Tray

Gauge & weights are given for the hot dip galvanised mild steel cable tray, with a standard side wall height of 50mm. Refer to the Engineering Data Section (Page 227) for other materials and gauges.

System Type: HR-SL3



Part Number	Tray Width mm	W mm	W1 mm	H mm	T mm	Weight kg
HR-SL3-50-○	50	50	51.8	50	0.9	3.61
HR-SL3-75-○	75	75	76.8			4.13
HR-SL3-100-○	100	100	101.8			4.65
HR-SL3-150-○	150	150	151.8		5.69	
HR-SL3-200-○	200	200	202.4		8.97	
HR-SL3-225-○	225	225	227.4		9.67	
HR-SL3-300-○	300	300	302.4	1.2	11.74	

○ = Select a Finish & Material

Finishes & Materials:



Supplied with:

