


Installation: hazardous areas - Zone 2 (Gases) - Zone 22 (Dusts)

Classification: Group II - Category 3G 3D

REFERENCE STANDARDS
Directive 2014/34/EU

EXECUTION	Ⓜ II 3 G Ex ec IIC T4 Gc Ⓜ II 3 D Ex tc IIIB T115°C Dc
RULES OF COMPLIANCE	EN/IEC 60079-0; EN/IEC 60079-7; EN/IEC 60079-31
EC Type-Examination Certificate	INERIS 19 ATEX 3010X
PROTECTION DEGREE	IP66 (in accordance to IEC 60529 with silicone grease applied on gasket)
AMBIENT TEMPERATURE	-40°C ÷ +60°C
OTHER AVAILABLE CERTIFICATES	IECEX: IECEX INE 19.0034X EAC: TC RU C-IT.BH02.B.00602 (-40°C ÷ +60°C)

Mechanical characteristics

Body	marine grade copper free aluminium
Diffuser	tempered front glass 4mm
Support	adjustable type 3mm thick shaped steel
Painting	external thermosetting polyester powder RAL-7039 colour
Screws	external stainless steel
Gaskets	silicon rubber
Cable entry	Dia. 20.5mm

Electrical characteristics

Power supply	220÷240Vac electronic driver 50/60 Hz - input surge protection and over temperature protection
Lamp type	Samsung LH 181B - CRI>80 CCT 4000K Lifetime: 80.000 hours L80 B10 @ta 25, 50.000 hours L80 B20 @tamax
Internal wiring	high-temperature resistant silicon rubber insulation cables
Terminals	suitable up to 4 sq/mm cables
Optic	SM = without lens, maximum efficiency AS = with asymmetrical lens vertex at 50deg ST = road lens with asymmetry vertex 30deg


On Request Accessories:

- External painting colour on request
- DALI dimmable driver and output reduction with Vmidnight system
- CCT 2200/3000/5700 K
- Customized LED current drivers
- Additional optics
- SPD 10KV
- Pole mounting

Technical data

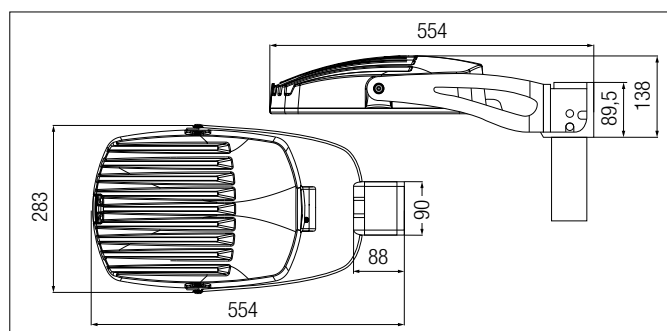
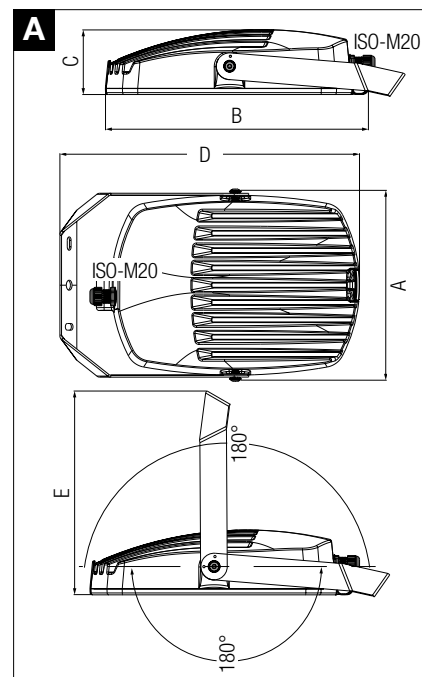
CODE	POWER LAMP	WIRING	TEMPERATURE CLASS (GAS)	TEMPERATURE CLASS (DUSTS)	OUTPUT TYPICAL (lm)	OUTPUT NET (lm)	CABLE ENTRY SIZE	DETAIL
FLOODLIGHTS FOR LED LAMP - POWER SUPPLY 220±240V 50/60Hz								
SFLP-1040B	35 W	16 LED	T4 (Ta +60°C)	T115°C	5200	4760	1 X ISO-M20	A
SFLP-1041B						4560		
SFLP-1042B						4475		
SFLP-2080B	70 W	32 LED			10400	9515		
SFLP-2081B						9120		
SFLP-2082B						8950		
SFLP-3120B	105 W	48 LED			15600	14275		
SFLP-3121B						13670		
SFLP-3122B						13420		
SFLP-4160B	140 W	64 LED	20800	19030				
SFLP-4161B				18235				
SFLP-4162B				17900				

OPTIC BEAM: 0B=SM - WITHOUT LENS / 1B=AS - ASYMMETICAL LENS / 2B=ST - STREET-ROAD LENS

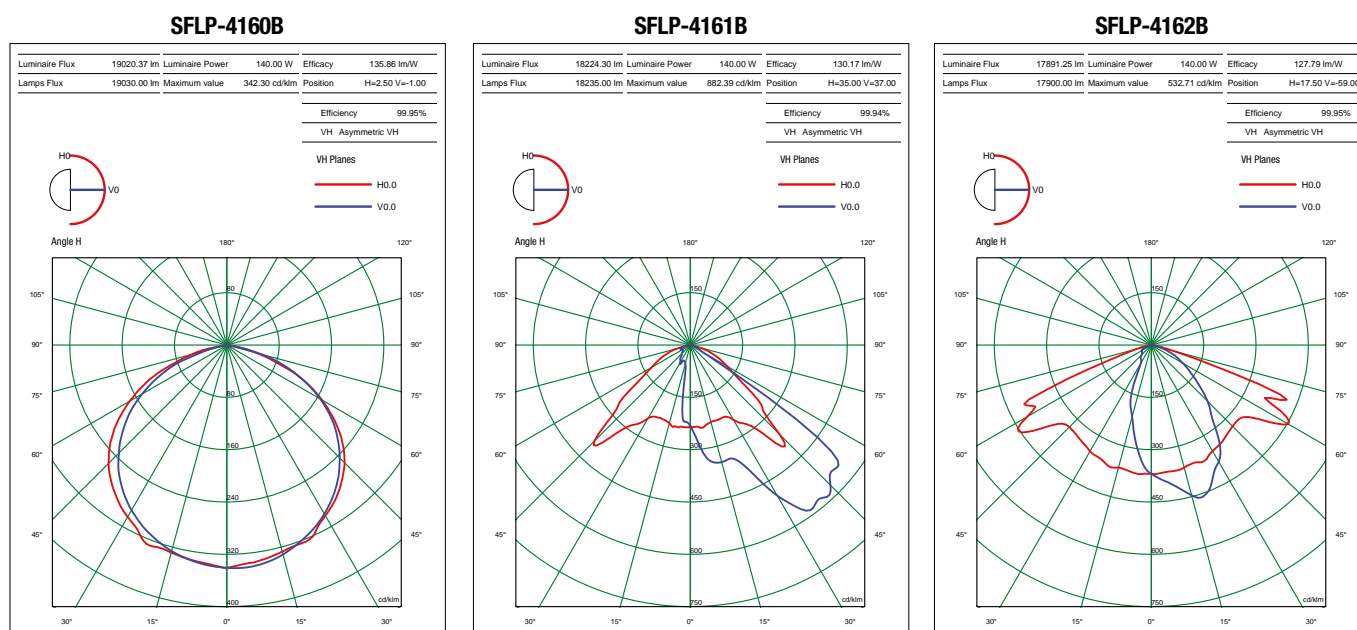
Technical features

CODE	A [mm]	B [mm]	C [mm]	D [mm]	E [mm]	WEIGHT [Kg]	CABLE ENTRY	DETAIL
SFLP-1040B	283	395	97	450	305	6,42	1 X ISO-M20	A
SFLP-1041B	283	395	97	450	305	6,45	1 X ISO-M20	A
SFLP-1042B	283	395	97	450	305	6,44	1 X ISO-M20	A
SFLP-2080B	283	395	97	450	305	6,45	1 X ISO-M20	A
SFLP-2081B	283	395	97	450	305	6,51	1 X ISO-M20	A
SFLP-2082B	283	395	97	450	305	6,50	1 X ISO-M20	A
SFLP-3120B	283	395	97	450	305	6,34	1 X ISO-M20	A
SFLP-3121B	283	395	97	450	305	6,43	1 X ISO-M20	A
SFLP-3122B	283	395	97	450	305	6,42	1 X ISO-M20	A
SFLP-4160B	283	395	97	450	305	6,40	1 X ISO-M20	A
SFLP-4161B	283	395	97	450	305	6,52	1 X ISO-M20	A
SFLP-4162B	283	395	97	450	305	6,51	1 X ISO-M20	A

Reference details



SFLP LED Installation and mounting details



On request accessories

CODE	DESCRIPTION	MATERIAL
923.503.002	T Pole adapter Ø 60 mm	Painted steel

REMARK:

Due to the development of the national and international specifications and of the technology, the above technical characteristics showed on this bulletin can be considered as binding on our confirmation only.