

Polyester cabinets/-distribution boxes with door

Description

BARTEC offers nine different types of polyester enclosures with door as distribution boxes for Ex e. The enclosures safely protect against mechanical stress and resist even the most extreme environmental conditions.

Accessories

Supplied with steel sheet mounting panel

Components

Rail-mounted terminals, terminal markers, cable glands, mounting panels, rails, labels

Installation instructions

The installer must make sure that the enclosure used is suitable for the corresponding field of application. This means that the marking must correspond to the classification of the Ex area. Also must the temperature class of the distribution box meet the respective requirements.

Explosion protection

Ex protection type (according to EN 60079-0)

- ATEX** II 2G Ex e ia/ib IIC T6, T5 Gb
 II 2D Ex tb IIIC T80 °C, T95 °C Db IP 66
 II 2D Ex ia/ib IIIC T80 °C db IP 66

Certification

PTB 08 ATEX 1066

- IECEx** Ex e ia/ib IIC T6, T5 Gb
 Ex tb IIIC T80 °C, T95 °C Db IP 66
 Ex ia/ib IIIC T80 °C db IP 66

Certification

IECEx PTB 13.0017

Other approvals and certificates, see www.bartec-group.com

Technical data

Material

glass-fibre reinforced polyester enclosure with hinged door, EN 60079 surface resistance < 10⁹ Ω, steel sheet mounting panel, RAL 2000

Colour

RAL 9005, black

Dorlock (other models on request)

double way cam lock

Standard seals

foamed PU seal
 -20 °C to +80 °C

Mechanical resistance according to EN 60079

impact energy 7 Nm

Protection class

EN 60529/IEC 60529
 IP 66

EN 60079-0

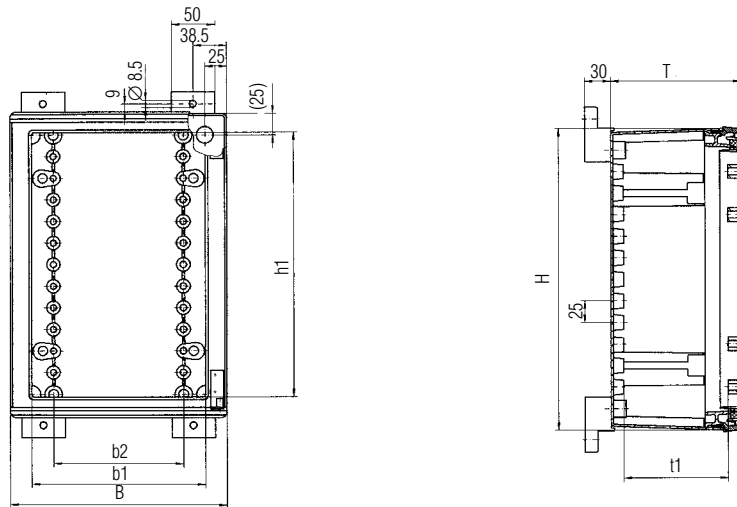
(07-5187-8000/0130 in IP 56)

Selection chart

External dimensions in mm Length (L) x Width (B) x Height (H)	Empty Ex enclosure Type 07-5187-.../....	Ex e distribution box Type 07-5109-.../....	Ex i distribution box Type 07-5110-.../....
	➔ Order no.	➔ Order no.	➔ Order no.
200 x 300 x 150	07-5187-2003/0015	07-5109-2003/0015	07-5110-2003/0015
250 x 350 x 150	07-5187-2503/5015	07-5109-2503/5015	07-5110-2503/5015
300 x 400 x 200	07-5187-3004/0020	07-5109-3004/0020	07-5110-3004/0020
400 x 400 x 200	07-5187-4004/0020	07-5109-4004/0020	07-5110-4004/0020
400 x 600 x 200	07-5187-4006/0020	07-5109-4006/0020	07-5110-4006/0020
600 x 600 x 200	07-5187-6006/0020	07-5109-6006/0020	07-5110-6006/0020
500 x 500 x 300	07-5187-5005/0030	07-5109-5005/0030	07-5110-5005/0030
600 x 800 x 300	07-5187-6008/0030	07-5109-6008/0030	07-5110-6008/0030
800 x 1000 x 300	07-5187-8000/0130	07-5109-8000/0130	07-5110-8000/0130



Dimensions

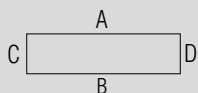


Selection chart Polyester enclosure with door

Dimensions in mm						Order no.
Length (L) x Width (B) x Height (H)	b1	h1	t1	b2	Weight in kg	
200 x 300 x 150	140	256	130	100	3.7	07-5187-20030015
250 x 350 x 150	190	306	130	150	4.6	07-5187-25035015
300 x 400 x 200	240	355	180	200	6.0	07-5187-30040020
400 x 400 x 200	340	354	180	300	6.5	07-5187-40040020
400 x 600 x 200	340	554	180	300	11.5	07-5187-40060020
600 x 600 x 200	440	454	280	400	12.9	07-5187-50050030
500 x 500 x 300	540	554	180	500	15.9	07-5187-60060020
600 x 800 x 300	485	753	280	500	24.3	07-5187-60080030
800 x 1000 x 300	685	953	280	700	30.0	07-5187-80000130

Cable glands/maximum number

The following table applies to polyester enclosures/distribution boxes with door



Empty Ex enclosure black 07-5187-.../...
 Ex e distribution boxes black 07-5109-.../...
 Ex i distribution boxes black 07-5110-.../...

Article no.	Side	M12 x 1,5	M16 x 1,5	M16 x 1,5	M20 x 1,5	M20 x 1,5	M25 x 1,5	M32 x 1,5	M40 x 1,5	M50 x 1,5	M63 x 1,5
07-□□□□-2003/0015	A/B C/D	24 24	18 18	12 6	8 4	8 4	2 2	2 -	2 -	2 -	- -
07-□□□□-2503/5015	A/B C/D	32 32	24 24	18 12	12 8	12 8	4 2	2 2	2 2	2 2	- -
07-□□□□-3004/0020	A/B C/D	60 60	50 50	32 24	32 24	24 24	12 12	8 4	4 4	4 4	2 2
07-□□□□-4004/0020	A/B C/D	96 60	70 50	48 24	40 24	40 24	24 12	12 4	8 4	8 4	4 2
07-□□□□-4006/0020	A/B C/D	96 120	70 90	48 56	40 52	40 44	24 24	12 12	8 10	8 10	4 4
07-□□□□-6006/0020	A/B C/D	156 120	110 90	80 56	72 52	64 44	36 24	20 12	16 10	16 10	6 4
07-□□□□-5005/0030	A/B C/D	220 165	162 126	128 80	112 72	98 63	50 30	36 16	18 12	18 12	12 9
07-□□□□-6008/0030	A/B C/D	286 308	198 234	160 168	144 152	112 112	60 60	40 36	24 21	24 21	18 21
07-□□□□-8000/0130	A/B C/D	308 418	234 306	160 216	144 200	112 154	60 90	40 52	24 33	24 33	18 27

Each enclosure side wall has only a limited number of gland entries to ensure the mechanical stability of the enclosure.