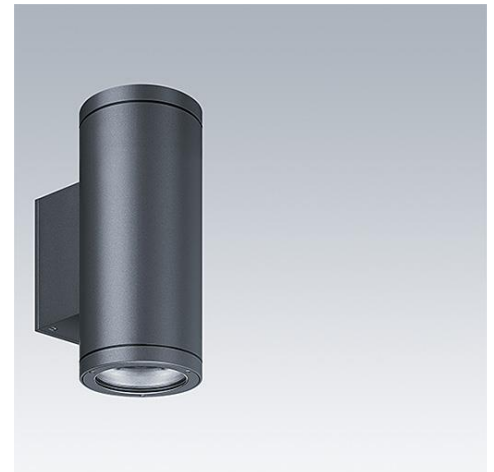


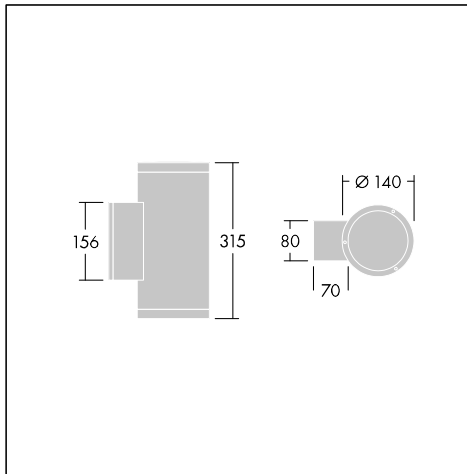
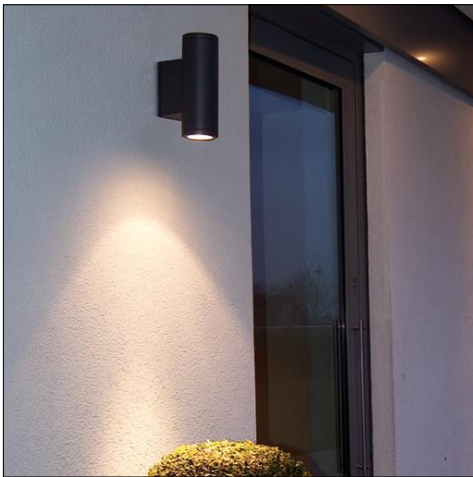
Cesar Wall

Versatile and contemporary architectural floodlight for decorative façade lighting

- Wall mounted luminaire available with 2 light distributions Narrow or medium beam, on one or two sides. Available in 2 sizes for easy integration into any environment
- Easy installation with a single tool and automatic connection
- Also available as a ceiling variant with Cesar Ceiling range



Photographs, line drawings and photometric data are representative only. For specific product detail please select an individual product.



Material/Finish

Body and frame: die-cast aluminium EN AN 44700 and extruded ENAW 6060 housing (copper free) with high corrosion resistance and powder painted close to RAL 7043. Other RAL colours available on request.

Front glass: toughened glass, thickness 8mm

Retaining screws: stainless steel

Gasket: silicone

Holographic films: non-yellowing polycarbonate

Installation/Mounting

Upwards or downwards installation. Fix the plate to the wall with screws (not supplied). Connect the supply cable to the fast connector IP67 (supplied). Plug the fast connector and lock with the two Allen screws. Fast connectors for electrical connection, cable diameters: Size 1: 8-12mm; Sizes 2: 6-12mm

Accessories:

You can add holographic films under the glass with the structured side of the film in contact with the front glass. Rotate the film to obtain the required light effect.

Specification

To specify state:

Elegant and universal wall mounted luminaires for wall or façade decorative lighting. Available in 2 sizes, narrow or medium beam, one or two windows, IP65 protected, gear integrated. Size 1: Ø90mm; Size 2: Ø140mm

As Thorn Cesar Wall