

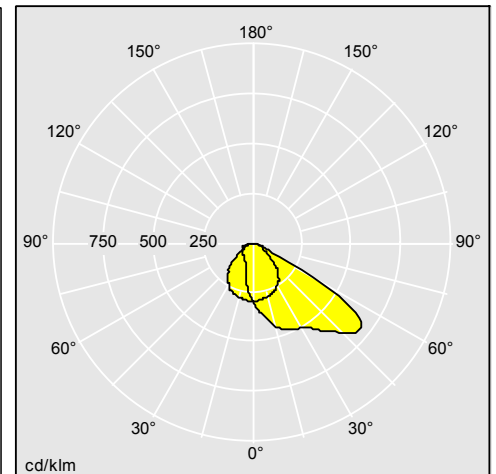
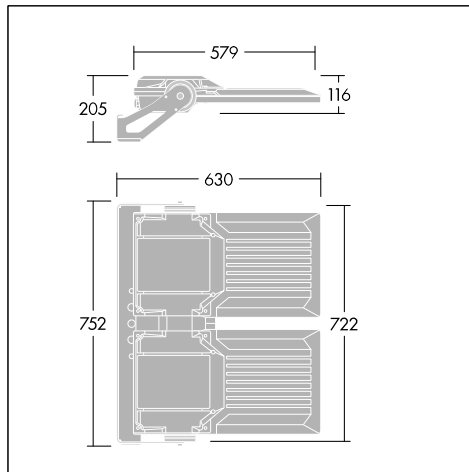
## Areaflood Pro 2

### Application versatile floodlight luminaire with best in class optical performance and connectivity solutions

- Full package product family of five luminaire sizes offering between 4,000 - 100,000 lumen outputs
- Integrating THORN's in-house designed and developed optic portfolio. Offering a total of 21 different light distributions covering area, road and sports applications
- Protecting Dark Skies and the nighttime environment, Areaflood Pro is available with THORN's Balanced White technology
- Designed with Dark Sky principals to limit light pollution, with 0 cd at 90° when mounted horizontally. Coupled with an accessory portfolio to further control light spill and light trespass
- Improving sustainability by managing energy consumption, Areaflood Pro is compatible with THORN's UrbaSens connectivity solutions for Outdoor lighting applications
- Maintenance free solution. Product lifetime up to 100,000HR L95
- 6kV as standard (integrated in the driver)
- 10kV optional (additional device - specify using myProduct)



Photographs, line drawings and photometric data are representative only. For specific product detail please select an individual product.



96635908

### Material/Finish

Luminaire body manufactured in die-cast aluminium EN AC-44300

Robust solution with excellent corrosion resistance of C5 according to ISO 9223:2012

Finished in light grey (close to RAL9006) with an additional 50 RAL finishes available on request

Toughened Glass

High mechanical resistance of IK08 and IP66

Optional special surface treatment for installation in swimming pool applications can be specified using myProduct configurator

### Installation/Mounting

Versatile adjustable surface mounting stirrup bracket to suit application demands, for wall, floor or column mounting

Optional spigot adapter accessory for post top mounting applications for Small, Medium and Large sizes (not double sizes)

## Areaflood Pro 2

### Specification

To specify state:

Family of versatile floodlights for area, road and sports lighting applications

Available in Electrical Class I and Class II

Zhaga Up and Zhaga Down sockets available

Integral NEMA and photocell available

DALI dimmable on-board driver variants

Bi-power Line and Light Reduction Twin Phase variants

Built in surge protection, with additional surge protection option available

CCT: 2727 / 827 / 730 / 830 / 740 / 840 / 757 / 857

CCT: 957 TLCI 86 / 957 TLCI 90 for performance television broadcasting applications

Balanced white: CCT range 827 - 857

As Thorn Areaflood Pro 2

### Ordering Guide

| Description                    | ILCOS Code | Socket | Wt (kg) | SAP Code |
|--------------------------------|------------|--------|---------|----------|
| <b>Areaflood Pro 2, Small</b>  |            |        |         |          |
| AFP2 S 24L35-740 A4 CL2 GY     | LED        |        | 6,785   | 96635869 |
| AFP2 S 24L50-740 A4 CL2 GY     | LED        |        | 6,785   | 96635870 |
| AFP2 S 24L70-740 A4 CL2 GY     | LED        |        | 6,785   | 96635871 |
| AFP2 S 36L35-740 A4 CL2 GY     | LED        |        | 6,845   | 96635872 |
| AFP2 S 36L50-740 A4 CL2 GY     | LED        |        | 6,82    | 96635873 |
| AFP2 S 36L70-740 A4 CL2 GY     | LED        |        | 7,07    | 96635874 |
| AFP2 S 48L35-740 A4 CL2 GY     | LED        |        | 7,13    | 96635875 |
| AFP2 S 48L50-740 A4 CL2 GY     | LED        |        | 7,38    | 96635876 |
| AFP2 S 48L70-740 A4 CL2 GY     | LED        |        | 7,6     | 96635877 |
| AFP2 S 24L35-740 A4 CL1 GY     | LED        |        | 6,785   | 96635899 |
| AFP2 S 24L50-740 A4 CL1 GY     | LED        |        | 6,785   | 96635900 |
| AFP2 S 24L70-740 A4 CL1 GY     | LED        |        | 6,785   | 96635901 |
| AFP2 S 36L35-740 A4 CL1 GY     | LED        |        | 6,845   | 96635902 |
| AFP2 S 36L50-740 A4 CL1 GY     | LED        |        | 6,82    | 96635903 |
| AFP2 S 36L70-740 A4 CL1 GY     | LED        |        | 7,07    | 96635904 |
| AFP2 S 48L35-740 A4 CL1 GY     | LED        |        | 7,13    | 96635905 |
| AFP2 S 48L50-740 A4 CL1 GY     | LED        |        | 7,38    | 96635906 |
| AFP2 S 48L70-740 A4 CL1 GY     | LED        |        | 7,6     | 96635907 |
| <b>Areaflood Pro 2, Medium</b> |            |        |         |          |
| AFP2 M 60L35-740 A4 CL2 GY     | LED        |        | 9,79    | 96635878 |
| AFP2 M 60L50-740 A4 CL2 GY     | LED        |        | 9,79    | 96635879 |
| AFP2 M 60L70-740 A4 CL2 GY     | LED        |        | 9,79    | 96635880 |
| AFP2 M 72L35-740 A4 CL2 GY     | LED        |        | 9,85    | 96635881 |
| AFP2 M 72L50-740 A4 CL2 GY     | LED        |        | 9,85    | 96635882 |
| AFP2 M 72L70-740 A4 CL2 GY     | LED        |        | 9,768   | 96635883 |
| AFP2 M 96L35-740 A4 CL2 GY     | LED        |        | 9,888   | 96635884 |
| AFP2 M 96L50-740 A4 CL2 GY     | LED        |        | 9,888   | 96635885 |
| AFP2 M 96L70-740 A4 CL2 GY     | LED        |        | 10,1    | 96635886 |
| AFP2 M 96L85-740 A4 CL2 GY     | LED        |        | 10,57   | 96635887 |
| AFP2 M 60L35-740 A4 CL1 GY     | LED        |        | 9,79    | 96635908 |
| AFP2 M 60L50-740 A4 CL1 GY     | LED        |        | 9,79    | 96635909 |
| AFP2 M 60L70-740 A4 CL1 GY     | LED        |        | 9,79    | 96635910 |

## Areaflood Pro 2

| Description                             | ILCOS Code | Socket | Wt (kg) | SAP Code |
|---|------------|--------|---------|----------|
| AFP2 M 72L35-740 A4 CL1 GY              | LED        |        | 9,85    | 96635911 |
| AFP2 M 72L50-740 A4 CL1 GY              | LED        |        | 9,85    | 96635912 |
| AFP2 M 72L70-740 A4 CL1 GY              | LED        |        | 9,768   | 96635913 |
| AFP2 M 96L35-740 A4 CL1 GY              | LED        |        | 9,888   | 96635914 |
| AFP2 M 96L50-740 A4 CL1 GY              | LED        |        | 9,888   | 96635915 |
| AFP2 M 96L70-740 A4 CL1 GY              | LED        |        | 10,1    | 96635916 |
| AFP2 M 96L85-740 A4 CL1 GY              | LED        |        | 10,57   | 96635917 |
| AFP2 M 96L70 740 A4 H CLO BS 3525 SP -> | LED        |        | 10,808  | 92998082 |

### Areaflood Pro 2, Large

|  |     |  |        |          |
|--|-----|--|--------|----------|
| AFP2 L 108L35-740 A4 CL2 GY              | LED |  | 12,508 | 96635888 |
| AFP2 L 108L50-740 A4 CL2 GY              | LED |  | 12,508 | 96635889 |
| AFP2 L 108L70-740 A4 CL2 GY              | LED |  | 12,978 | 96635890 |
| AFP2 L 120L35-740 A4 CL2 GY              | LED |  | 12,568 | 96635891 |
| AFP2 L 120L50-740 A4 CL2 GY              | LED |  | 12,81  | 96635892 |
| AFP2 L 120L70-740 A4 CL2 GY              | LED |  | 13,28  | 96635893 |
| AFP2 L 144L35-740 A4 CL2 GY              | LED |  | 13,4   | 96635894 |
| AFP2 L 144L50-740 A4 CL2 GY              | LED |  | 13,4   | 96635895 |
| AFP2 L 144L70-740 A4 CL2 GY              | LED |  | 13,476 | 96635896 |
| AFP2 L 144L80-740 A4 CL2 GY              | LED |  | 13,9   | 96635897 |
| AFP2 L 108L35-740 A4 CL1 GY              | LED |  | 12,508 | 96635918 |
| AFP2 L 108L50-740 A4 CL1 GY              | LED |  | 12,508 | 96635919 |
| AFP2 L 108L70-740 A4 CL1 GY              | LED |  | 12,978 | 96635920 |
| AFP2 L 120L35-740 A4 CL1 GY              | LED |  | 12,568 | 96635921 |
| AFP2 L 120L50-740 A4 CL1 GY              | LED |  | 12,81  | 96635922 |
| AFP2 L 120L70-740 A4 CL1 GY              | LED |  | 13,28  | 96635923 |
| AFP2 L 144L35-740 A4 CL1 GY              | LED |  | 13,4   | 96635924 |
| AFP2 L 144L50-740 A4 CL1 GY              | LED |  | 13,4   | 96635925 |
| AFP2 L 144L70-740 A4 CL1 GY              | LED |  | 13,476 | 96635926 |
| AFP2 L 144L80-740 A4 CL1 GY              | LED |  | 13,9   | 96635927 |
| AFP2 L 144L70 740 A16 CL2 GY             | LED |  | 13,476 | 92994735 |
| AFP2 L 144L70 740 A5 H CLO BS 3525 SP -> | LED |  | 14,184 | 92998080 |
| AFP2 L 144L70 740 A4 H CLO BS 3525 SP -> | LED |  | 14,184 | 92998081 |

### Areaflood Pro 2, Medium double

|                              |     |  |        |          |
|------------------------------|-----|--|--------|----------|
| AFP2 2M 192L70-740 A4 CL2 GY | LED |  | 23,78  | 96635898 |
| AFP2 2M 192L70-740 A4 CL1 GY | LED |  | 23,48  | 96635928 |
| AFP2 2M 192L85-740 A4 CL1 GY | LED |  | 24,45  | 96635929 |
| AFP2 2M 192L50-740 A4 CL2 GY | LED |  | 23,356 | 96636355 |
| AFP2 2M 192L50-740 A4 CL1 GY | LED |  | 23,056 | 96636356 |

### Areaflood Pro 2, Large double

|                              |     |  |        |          |
|------------------------------|-----|--|--------|----------|
| AFP2 2L 216L70-740 A4 CL1 GY | LED |  | 28,74  | 96635930 |
| AFP2 2L 288L70-740 A4 CL1 GY | LED |  | 29,1   | 96635931 |
| AFP2 2L 288L75-740 A4 CL1 GY | LED |  | 29,222 | 96635932 |
| AFP2 2L 216L50-740 A4 CL1 GY | LED |  | 28,104 | 96636357 |
| AFP2 2L 288L50-740 A4 CL1 GY | LED |  | 28,464 | 96636358 |

### Areaflood Pro 2, accessories

## Areaflood Pro 2

| Description                        | ILCOS Code | Socket | Wt (kg) | SAP Code |
|------------------------------------|------------|--------|---------|----------|
| AFP MTP 76MM R9006                 |            |        | 1,6     | 96274659 |
| AFP MTP 60MM R9006                 |            |        | 1,66    | 96274660 |
| AFP MTP 60MM GY                    |            |        | 1,77    | 96631743 |
| AFP MTP 76MM GY                    |            |        | 1,71    | 96631744 |
| ACCESSORY DALI IN/OUT JUNCTION BOX |            |        | 0,52    | 96631877 |
| AFP2 BIRD DETERRENT SMALL          |            |        | 1,38    | 96636416 |
| AFP2 BIRD DETERRENT MEDIUM         |            |        | 1,87    | 96636417 |
| AFP2 AIMING DEVICE                 |            |        | 0,392   | 96636419 |
| AFP2 BIRD DETERRENT LARGE          |            |        | 2,08    | 96636422 |
| AFP2 EXTERNAL LOUVERS SMALL        |            |        | 1,238   | 96636424 |
| AFP2 EXTERNAL LOUVERS MEDIUM       |            |        | 1,348   | 96636425 |
| AFP2 EXTERNAL LOUVERS LARGE        |            |        | 1,648   | 96636426 |