

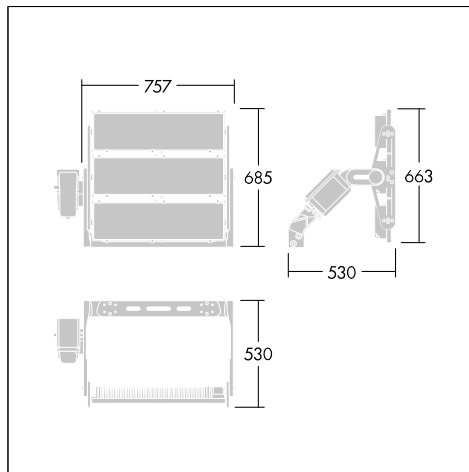
## Altis Gen5

### High power LED floodlight for sports (from first class professional to recreational sports fields) and area lighting applications

- **BEST IN CLASS** - High performance lighting up to 256klm with exceptional environmental resistance, excellent thermal and windage properties as well as a wide choice of outputs and precision optics
- **INDIVIDUAL MODULE AIMING** - Optical flexibility and modular construction enabling various combinations of optics, including the possibility to tilt each single LED module to minimize the number of luminaires and optimize the windage
- Excellent performance with the compact gearbox installed either on the frame of the luminaire or up to 200m remotely. The patented 'fishbone' design allows maximum air flow for thermal efficiency
- Fully controllable solution via DALI or RDM-DMX enabling instant lighting, stepped illumination levels and event lighting with dynamic lighting scenarios
- Intuitive design for an ease of installation, with a quick fix connection box, as well as multiple fixing options. Adjustable precision setting for accurate and fast module tilting and orientation
- To ensure suitability for your project applications, please use 'myProduct' to configure the required version. Your local Sales Team can assist with this process



*Photographs, line drawings and photometric data are representative only. For specific product detail please select an individual product.*



### Material/Finish

Body : die-cast aluminium EN AC-44300 modules with patented 'pin fins' for maximum thermal management, powder coated paint finish

Frame and stirrup : die-cast aluminium EN AC 44100 or fabricated sheet aluminium painted (all versions) or unpainted (2 & 3 module stirrup versions)

Aluminium: low copper content, suitable for use in harsh environments including swimming pools

Glass: 4mm toughened, high transmission glass with anti-reflective treatment on both faces

Screws: zinc coated stainless steel A4 grade

Corrosion resistance: protected to classification C5 according to ISO 9223:2012

## Altis Gen5

### Installation/Mounting

Bracket mounted using different fixing points (one M20 screw or two M14 screws). Frame fixed to stirrup with M10 Hex screw with the possibility to move (100mm) the position horizontally (available only on 3 and 2 LED modules stirrup version). Tiltable LED modules fixed on frame via M8 Hex screws. Reversible stirrup allows 'under slung' mounting and different mounting configurations including suspension, wall mounting, surface mounting, roof mounting. The LED modules are pre-wired to a distribution box with an easy clamping connection system.

A separately supplied gearbox can be installed remotely up to 200m from the luminaire and is equipped with four different cable glands - 1 x M25 cable gland accepting cable diameter between 10 mm and 17 mm and wiring with plug-in terminals for wires up to 2,5mm<sup>2</sup> for mains supply (200-440V / 50-60Hz), 2 x M16 cable glands accepting cable diameter between 5 mm and 10 mm for control IN/OUT and 1xM32 cable gland accepting cable diameter between 13 mm and 21 mm wiring with plug-in terminals for wires up to 2,5mm<sup>2</sup> (one cable of 7-cores at length of customer choice not supplied by Thorn and used for electrical connection to the floodlight - 8-cores where NTC is used) – and LED signal to indicate the status of the gearbox. Four holes in power supply housing corners allow different mounting options.

Junction box is included with 2 and 3 module versions.

A precision aiming device is available and adjustable on the top or bottom of each LED module.

### Specification

To specify state:

High power LED floodlight for sports and area lighting. With a wide range of CCT/CRI/TLCI (3000K, 4000K and 5700K, CRI from 70 to 90+ and TLCI up to 90+) to cover all the application requirements and flicker free operation suitable for HDTV broadcasting. The floodlight allows optics to be mixed and has tiltable LED modules to optimize lighting designs and minimize number of floodlights in an installation. Each module can be individually tilted for optimum control. Compact floodlight (30,8kg for three bricks version, 23kg for two bricks version, 18,7kg for two bricks version light bracket and 9,6kg for 1 brick version), highly resistant (IP66, IK08), available with 10 excellent lighting distribution. To be completed with compact and light gearbox IP66 with RDM-DMX or DALI control interface. Gearbox housing made of die-cast aluminum with "fishbone" fins to guarantee a better thermal management in all permitted mounting positions and a full working range at ambient temperature -40°C/+45°C. Equipped in the frontal panel with LED signal to indicate the status of the gearbox. Lifetime greater than 50khrs. Surge level 10kV for Common mode and differential mode. Hot restrike and flicker-free up to 1000 frames per second (required for 100-50% output level) for HDTV camera. The gearbox can be installed on the bracket of the floodlight, inside the mast or remotely up to 200m from the floodlight. Maximum driving current must be selected according to the constraint from the targeted application, advice may be obtained from your local representative. As Thorn Altis Gen5

### Ordering Guide

Description	ILCOS Code	Socket	Wt (kg)	SAP Code
<b>Altis, 1 module</b>				
ALG5 168L125-740 PST NB ANT			9,28	96670818
ALG5 144L140-740 PST A6 ANT			9,28	96670255
ALG5 144L125-740 PST A6 ANT			9,28	96671917
ALG5 144L105-740 PST A6 ANT			9,28	96671918
ALG5 144L85-740 PST A6 ANT			9,28	96671919
ALG5 144L70-740 PST A6 ANT			9,28	96671920
ALG5 168L105-740 PST NB ANT			9,28	96671921
ALG5 168L85-740 PST NB ANT			9,28	96671922
ALG5 168L70-740 PST NB ANT			9,28	96671923
<b>Altis, 2 modules</b>				
ALG5 288L140-740 PST A6A6 ANT			22,8	96670251
ALG5 336L125-740 PST NBNB ANT			23,688	96670252
ALG5 288L125-740 PST A6A6 ANT			23,3	96684115
ALG5 288L105-740 PST A6A6 ANT			23,3	96684116
ALG5 288L85-740 PST A6A6 ANT			23,3	96684117
ALG5 288L70-740 PST A6A6 ANT			23,3	96684118
ALG5 312L125-740 PST NBA6 ANT			23	96684119
ALG5 312L105-740 PST NBA6 ANT			23	96684120

## Altis Gen5

Description	ILCOS Code	Socket	Wt (kg)	SAP Code
ALG5 312L85-740 PST NBA6 ANT			23	96684121
ALG5 312L70-740 PST NBA6 ANT			23	96684122
ALG5 336L105-740 PST NBNB ANT			23,7	96684123
ALG5 336L85-740 PST NBNB ANT			23,4	96684124
ALG5 336L70-740 PST NBNB ANT			23,4	96684125
<b>Altis, 3 modules</b>				
ALG5 432L140-740 PST A6A6A6 ANT			30,107	96670248
ALG5 504L125-740 PST NBNBNT ANT			30,9	96670249
ALG5 432L125-740 PST A6A6A6 ANT			30,1	96684126
ALG5 432L105-740 PST A6A6A6 ANT			30,1	96684127
ALG5 432L85-740 PST A6A6A6 ANT			30,1	96684128
ALG5 432L70-740 PST A6A6A6 ANT			30,1	96684129
ALG5 456L125-740 PST NBA6A6 ANT			30,4	96684130
ALG5 456L105-740 PST NBA6A6 ANT			30,4	96684131
ALG5 456L85-740 PST NBA6A6 ANT			30,4	96684132
ALG5 456L70-740 PST NBA6A6 ANT			30,4	96684133
ALG5 480L125-740 PST NBNBA6 ANT			30,6	96684134
ALG5 480L105-740 PST NBNBA6 ANT			30,6	96684135
ALG5 480L85-740 PST NBNBA6 ANT			30,6	96684136
ALG5 480L70-740 PST NBNBA6 ANT			30,6	96684137
ALG5 504L105-740 PST NBNBNT ANT			30,9	96684138
ALG5 504L85-740 PST NBNBNT ANT			30,9	96684139
ALG5 504L70-740 PST NBNBNT ANT			30,9	96684140
ALG5 LE 432L125-740 PST A6A6A6 ANT			30,1	96637087
ALG5 LE 432L105-740 PST A6A6A6 ANT			30,1	96637088
ALG5 LE 432L85-740 PST A6A6A6 ANT			30,1	96637089
ALG5 LE 456L125-740 PST NBA6A6 ANT			30,4	96637090
ALG5 LE 456L105-740 PST NBA6A6 ANT			30,4	96637091
ALG5 LE 456L85-740 PST NBA6A6 ANT			30,4	96637092
ALG5 LE 480L125-740 PST NBNBA6 ANT			30,6	96637093
ALG5 LE 480L105-740 PST NBNBA6 ANT			30,6	96637094
ALG5 LE 480L85-740 PST NBNBA6 ANT			30,6	96637095
ALG5 LE 504L125-740 PST NBNBNT ANT			30,9	96637096
ALG5 LE 504L105-740 PST NBNBNT ANT			30,9	96637097
ALG5 LE 504L85-740 PST NBNBNT ANT			30,9	96637098
<b>Altis, gearbox - premium</b>				
ALG5 GB 2052W 1.40A 565V 3CH DA			6,2	96671924
ALG5 GB 2052W 1.25A 565V 3CH DA			6,2	96671925
ALG5 GB 2052W 1.05A 565V 3CH DA			6,2	96671926
ALG5 GB 2052W 0.85A 565V 3CH DA			6,2	96671927
ALG5 GB 2052W 0.70A 565V 3CH DA			6,2	96671928
ALG5 GB 1368W 1.40A 565V 2CH DA			5,4	96671929
ALG5 GB 1368W 1.25A 565V 2CH DA			5,4	96671930
ALG5 GB 1368W 1.05A 565V 2CH DA			5,4	96671931
ALG5 GB 1368W 0.85A 565V 2CH DA			5,4	96671932
ALG5 GB 1368W 0.70A 565V 2CH DA			5,4	96671933

## Altis Gen5

Description	ILCOS Code	Socket	Wt (kg)	SAP Code
ALG5 GB 2052W 1.40A 565V 3CH RDMX			6,2	96671934
ALG5 GB 2052W 1.25A 565V 3CH RDMX			6,2	96671935
ALG5 GB 2052W 1.05A 565V 3CH RDMX			6,2	96671936
ALG5 GB 2052W 0.85A 565V 3CH RDMX			6,2	96671937
ALG5 GB 2052W 0.70A 565V 3CH RDMX			6,2	96671938
ALG5 GB 1368W 1.40A 565V 2CH RDMX			5,4	96671939
ALG5 GB 1368W 1.25A 565V 2CH RDMX			5,4	96671940
ALG5 GB 1368W 1.05A 565V 2CH RDMX			5,4	96671941
ALG5 GB 1368W 0.85A 565V 2CH RDMX			5,4	96671942
ALG5 GB 1368W 0.70A 565V 2CH RDMX			5,4	96671943
<b>Altis, gearbox - performance</b>				
ALG5 GB LE 2100W 1.40A 550V 3CH DA			5,8	96684147
ALG5 GB LE 2100W 1.05A 550V 3CH DA			5,8	96684148
ALG5 GB LE 2100W 0.85A 550V 3CH DA			5,8	96684149
ALG5 GB LE 2100W 1.40A 550V 3CH RDMX			5,8	96684150
ALG5 GB LE 2100W 1.05A 550V 3CH RDMX			5,8	96684151
ALG5 GB LE 2100W 0.85A 550V 3CH RDMX			5,8	96684152
ALG5 GB LE 2100W 1.25A 550V 3CH DA			5,6	96688776
ALG5 GB LE 2100W 1.25A 550V 3CH RDMX			5,8	96688777
<b>Altis Accessories</b>				
ALTIS G4G5 BIRD DETERRENT			0,8	96671489
ALTIS G4G5 GB BRACKET 3BRICK STIRRUP ANT			0,85	96671490
ALTIS G4G5 GB BRACKET 2B LB STIRRUP ANT			0,92	96671491
ALTIS G4G5 1 BRICK LOUVRE A4			0,9	96671492
ALTIS G4G5 1 BRICK LOUVRE A5			0,9	96671493
ALTIS G4G5 1 BRICK LOUVRE A6			0,9	96671494
ALTIS G4G5 1 BRICK LOUVRE NB			0,95	96671495
ALTIS G4G5 1 BRICK LOUVRE MB			2	96671496
ALTIS G4G5 1 BRICK LOUVRE WB			1	96671497
ALTIS G4G5 1 BRICK AJ VISOR			0,9	96671498
ALTIS G4G5 AIMING DEVICE BRACKET			2,9	96671488
ALG5 JUNCTION BOX GB TO 3X1 MODULE			2,5	96683854
<ALG5 JUNCTION BOX WHITE GB TO 2X1MODULE			1,65	96684170