

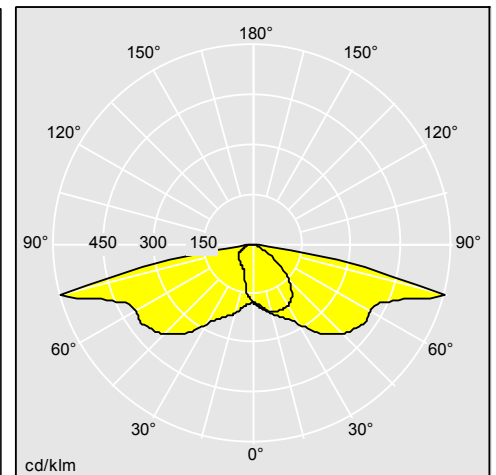
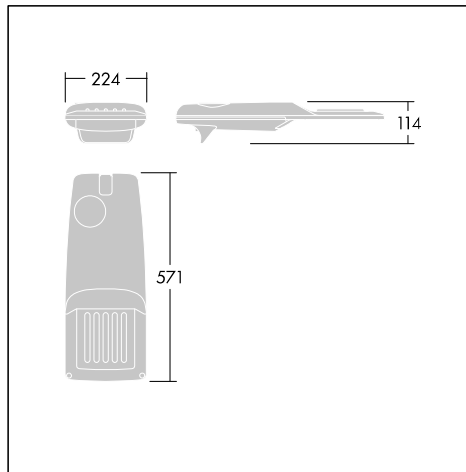
Isaro Pro

This robust and high-performance LED street lantern brings comfort and safety to any road or street

- IDA Dark Sky Approved
- *IDA fixture seal of approval relates to ≤ 3000 K only and clear enclosures, $\pm 10^\circ$ maximum tilt only. Luminaires must be mounted as photometered.
- Future proofing: upgrading of the Optic and Control Gear can be performed on site if required; CMS options can be incorporated /upgraded in the course of life with the 7 pin NEMA socket option; removable optic and gear assembly allows easy interchange
- Easy clean design including flat glass optical cover and optimally sized smooth heat dissipation cover
- Range of optics, tilt capability, tuneable flux and programmable driver facilitate optimisation of lighting design and minimisation of power consumption
- Tool-less top opening and incorporation of Automatic Disconnect for easy, safe access and simple electrical testing or maintenance operations
- OTHER OPTIONS ARE AVAILABLE (colour temperature, controls, mounting, colour...). See myProduct for configuration options



Photographs, line drawings and photometric data are representative only. For specific product detail please select an individual product.



96629205

Material/Finish

Suitable for C5 (standard corrosion class according to ISO 9223 : 2012) without additional coating.

Housing, canopies, spigot: die-cast aluminium EN AC-44300.

Version GY-S: Housing, canopies : light grey 150 sanded textured (close to RAL9006); spigot : non painted

Version ANT: Housing, canopies, spigot: texturized anthracite grey (close to RAL7043), Other RAL colours on request.

Glass: 5 mm thick

Fixings: stainless steel

Installation/Mounting

Suitable for mounting on top $\varnothing 76$ mm or $\varnothing 60$ mm (by ordering the correct version or adapter).

Suitable for mounting on side $\varnothing 60$ mm or $\varnothing 42$ mm (by ordering the correct version or adapter).

Variable tilting setting: 0° to $+20^\circ$ on post top mounting and -15° to $+15^\circ$ on lateral mounting, in 5° steps.

Cable gland for $\varnothing 8$ to 12mm cable. Delivered ready to install, complete with factory fitted integral gear tray, all supplied in a single carton.

Isaro Pro

Specification

To specify state:

A state of the art, LED lighting lantern, addressing all minor road and street lighting applications. Thorn's rigorous focus on functionality needs and return on investment led to an easy to understand and service LED luminaire delivering performance and sustainability, thanks to its high quality of aluminium. It integrates the latest available technology of light source, gear and controls as an answer to the demand for energy savings and efficiency. Easy to understand, specify, install, maintain & control are all the concrete advantages offered by this rational led lighting solution ensuring the most optimised cost of ownership possible. Two spare parts defined: gear tray incl. driver, LED cover (incl. LED module, lenses and glass enclosure).

As Thorn Isaro Pro

Ordering Guide

Description	ILCOS Code	Socket	Wt (kg)	SAP Code
Isaro Pro Small, Narrow road optic				
IP 12L50 740 NR M BS 3550 CL2 M60 ANT	LED		5,5	96276036
IP 12L105 740 NR M BS 3550 CL2 M60 ANT	LED		5,5	96276037
IP 24L105 740 NR M BS 3550 CL2 M60 ANT	LED		5,7	96276038
IP 12L35 740 NR M BS 3550 CL2 M60 ANT	LED		5,5	96275832
IP 12L70 740 NR M BS 3550 CL2 M60 ANT	LED		5,5	96275842
IP 24L105 730 NR M BS 3550 CL2 M60 ANT	LED		5,7	96276027
IP 24L35 740 NR M BS 3550 CL2 M60 ANT	LED		5,7	96275858
IP 24L70 740 NR M BS 3550 CL2 M60 ANT	LED		5,7	96275868
IP 24L50 740 NR M BS 3550 CL2 M60 ANT	LED		5,7	96275903
IP 12L35-740 NR BP 3550 CL1 M42 GY-S	LED		5,5	96630675
IP 12L50-740 NR BP 3550 CL1 M42 GY-S	LED		5,5	96630676
IP 12L70-740 NR BP 3550 CL1 M42 GY-S	LED		5,5	96630677
IP 12L105-740 NR BP 3550 CL1 M42 GY-S	LED		5,5	96630678
IP 24L35-740 NR BP 3550 CL1 M42 GY-S	LED		5,7	96630679
IP 24L50-740 NR BP 3550 CL1 M42 GY-S	LED		5,7	96630680
IP 24L70-740 NR BP 3550 CL1 M42 GY-S	LED		5,7	96630681
IP 24L105-740 NR BP 3550 CL1 M42 GY-S	LED		5,7	96630682
IP 36L35-740 NR BP 3550 CL1 M42 GY-S	LED		5,9	96630683
IP 36L50-740 NR BP 3550 CL1 M42 GY-S	LED		5,9	96630684
IP 36L70-740 NR BP 3550 CL1 M42 GY-S	LED		5,9	96630685
IP 36L85-740 NR BP 3550 CL1 M42 GY-S	LED		5,9	96630686
IP 36L35 740 NR M BS 3550 CL2 M60 ANT	LED		5,9	96276039
IP 36L50 740 NR M BS 3550 CL2 M60 ANT	LED		5,9	96276040
IP 36L70 740 NR M BS 3550 CL2 M60 ANT	LED		5,9	96276041
IP 36L85 740 NR M BS 3550 CL2 M60 ANT	LED		5,9	96276042
IP 36L70 730 NR M BS 3550 CL2 M60 ANT	LED		5,9	92904894
IP 36L50 730 NR M BS 3550 CL2 M60 ANT	LED		5,9	92905116
IP 36L35 730 NR M BS 3550 CL2 M60 ANT	LED		6,5	92907299
IP 12L105 730 NR M BS 3550 CL2 M60 ANT	LED		5,48	92907693
IP 36L85 730 NR M BS 3550 CL2 M60 ANT	LED		5,9	92910675
IP 12L70 730 NR M BS 3550 CL2 M60 ANT	LED		5,48	92902710
IP 24L70 730 NR M BS 3550 CL2 M60 ANT	LED		5,53	92902120
IP 24L35 730 NR M BS 3550 CL2 M60 ANT	LED		5,53	92902048
IP 24L50 730 NR M BS 3550 CL2 M60 ANT	LED		5,53	92902049
IP 12L50 730 NR M BS 3550 CL2 M60 ANT	LED		5,48	92902511
IP 12L35-740 NR BP 3550 CL2 M60 GY-S	LED		5,12	96636165

Isaro Pro

Description	ILCOS Code	Socket	Wt (kg)	SAP Code
IP 12L50-740 NR BP 3550 CL2 M60 GY-S	LED		5,19	96636166
IP 12L70-740 NR BP 3550 CL2 M60 GY-S	LED		5,19	96636167
IP 12L105-740 NR BP 3550 CL2 M60 GY-S	LED		5,19	96636168
IP 24L35-740 NR BP 3550 CL2 M60 GY-S	LED		5,26	96636169
IP 24L50-740 NR BP 3550 CL2 M60 GY-S	LED		5,26	96636170
IP 24L70-740 NR BP 3550 CL2 M60 GY-S	LED		5,26	96636171
IP 24L105-740 NR BP 3550 CL2 M60 GY-S	LED		5,33	96636172
IP 36L35-740 NR BP 3550 CL2 M60 GY-S	LED		5,32	96636173
IP 36L50-740 NR BP 3550 CL2 M60 GY-S	LED		5,32	96636174
IP 36L70-740 NR BP 3550 CL2 M60 GY-S	LED		5,61	96636175
IP 36L85-740 NR BP 3550 CL2 M60 GY-S	LED		5,88	96636176

Isaro Pro Small, Extra wide road optic

IP 12L35 740 EWR M BS 3550 CL2 M60 ANT	LED		5,48	96275915
IP 12L35 740 EWR M BS 3550 CL2 M76 ANT	LED		5,48	96275916
IP 12L70 740 EWR M BS 3550 CL2 M60 ANT	LED		5,48	96275919
IP 12L70 740 EWR M BS 3550 CL2 M76 ANT	LED		5,48	96275920
IP 24L35 740 EWR M BS 3550 CL2 M60 ANT	LED		5,53	96275923
IP 24L35 740 EWR M BS 3550 CL2 M76 ANT	LED		5,53	96275924
IP 24L70 740 EWR M BS 3550 CL2 M60 ANT	LED		5,53	96275927
IP 24L70 740 EWR M BS 3550 CL2 M76 ANT	LED		5,53	96275928
IP 12L35 740 EWR M BS 3550 CL2 T60F ->	LED		6,24	96275981
IP 12L35 740 EWR M BS 3550 CL2 T76F ->	LED		6,24	96275982
IP 12L70 740 EWR M BS 3550 CL2 T60F ->	LED		6,24	96275983
IP 12L70 740 EWR M BS 3550 CL2 T76F ->	LED		6,24	96275984
IP 24L35 740 EWR M BS 3550 CL2 T60F ->	LED		6,49	96275985
IP 24L35 740 EWR M BS 3550 CL2 T76F ->	LED		6,49	96275986
IP 24L70 740 EWR M BS 3550 CL2 T60F ->	LED		6,49	96275987
IP 24L70 740 EWR M BS 3550 CL2 T76F ->	LED		6,49	96275988
IP 24L50 740 EWR M BS 3550 CL2 T60F ->	LED		6,49	96275993
IP 24L50 740 EWR M BS 3550 CL2 T76F ->	LED		6,49	96275994
IP 24L50 740 EWR M BS 3550 CL2 M60 ANT	LED		5,53	96275952
IP 24L50 740 EWR M BS 3550 CL2 M76 ANT	LED		5,53	96275953
IP 24L70-740 EWR BP3550 N7 C2M60 ANT QR	LED		5,5	99952081
IP 24L70-730 EWR BP3550 N7 CL2M60R9004QR	LED		5,5	99953599
IP 36L70-730 EWR BP3550 N7 CL2M60R9004QR	LED		5,81	99953600

Isaro Pro Small, Wide road optic

IP 12L35 740 WR M BS 3550 CL2 M76 ANT	LED		5,48	96275894
IP 12L70 740 WR M BS 3550 CL2 M60 ANT	LED		5,48	96275897
IP 12L70 740 WR M BS 3550 CL2 M76 ANT	LED		5,48	96275898
IP 24L35 740 WR M BS 3550 CL2 M60 ANT	LED		5,53	96275901
IP 24L35 740 WR M BS 3550 CL2 M76 ANT	LED		5,53	96275902
IP 24L70 740 WR M BS 3550 CL2 M60 ANT	LED		5,53	96275905
IP 24L70 740 WR M BS 3550 CL2 M76 ANT	LED		5,53	96275906
IP 12L35 740 WR M BS 3550 CL2 T60F ->	LED		6,24	96275973
IP 12L35 740 WR M BS 3550 CL2 T76F ->	LED		6,24	96275974
IP 12L70 740 WR M BS 3550 CL2 T60F ->	LED		6,24	96275975

Isaro Pro

Description	ILCOS Code	Socket	Wt (kg)	SAP Code
IP 12L70 740 WR M BS 3550 CL2 T76F ->	LED		6,24	96275976
IP 24L35 740 WR M BS 3550 CL2 T60F ->	LED		6,49	96275977
IP 24L35 740 WR M BS 3550 CL2 T76F ->	LED		6,49	96275978
IP 24L70 740 WR M BS 3550 CL2 T60F ->	LED		6,49	96275979
IP 24L70 740 WR M BS 3550 CL2 T76F ->	LED		6,49	96275980
IP 24L50 740 WR M BS 3550 CL2 T60F ->	LED		6,49	96275991
IP 24L50 740 WR M BS 3550 CL2 T76F ->	LED		6,49	96275992
IP 24L50 740 WR M BS 3550 CL2 M60 ANT	LED		5,53	96275948
IP 24L50 740 WR M BS 3550 CL2 M76 ANT	LED		5,53	96275949

Isaro Pro Small, Wide street comfort optic

IP 36L70 730 WSC M BS 3550 CL2 M60 ANT	LED		6,5	92905952
IP 24L35 730 WSC M BS 3550 CL2 M60 ANT	LED		5,53	92906731
IP 12L70 730 WSC M BS 3550 CL2 M60 ANT	LED		5,48	92907751
IP 24L50 730 WSC M BS 3550 CL2 M60 ANT	LED		5,53	92908055
IP 36L35 730 WSC M BS 3550 CL2 M60 ANT	LED		6,5	92910143
IP 36L50 730 WSC M BS 3550 CL2 M60 ANT	LED		6,5	92910796
IP 12L50 730 WSC M BS 3550 CL2 M60 ANT	LED		5,48	92911359
IP 12L105 730 WSC M BS 3550 CL2 M60 ANT	LED		5,48	92911360
IP 24L105 730 WSC M BS 3550 CL2 M60 ANT	LED		5,72	92911361
IP 24L70 730 WSC M BS 3550 CL2 M60 ANT	LED		5,53	92902093
IP 36L85 730 WSC M BS 3550 CL2 M60 ANT	LED		5,9	92916959

Isaro Pro Medium, Narrow road optic

IP 48L35-740 NR BP 3550 CL1 M42 GY-S	LED		7,4	96630687
IP 48L50-740 NR BP 3550 CL1 M42 GY-S	LED		7,4	96630688
IP 48L70-740 NR BP 3550 CL1 M42 GY-S	LED		7,4	96630689
IP 60L35-740 NR BP 3550 CL1 M42 GY-S	LED		7,6	96630690
IP 60L50-740 NR BP 3550 CL1 M42 GY-S	LED		7,6	96630691
IP 60L70-740 NR BP 3550 CL1 M42 GY-S	LED		7,6	96630692
IP 72L35-740 NR BP 3550 CL1 M42 GY-S	LED		7,7	96630693
IP 72L50-740 NR BP 3550 CL1 M42 GY-S	LED		7,7	96630694
IP 72L70-740 NR BP 3550 CL1 M42 GY-S	LED		7,7	96630695
IP 48L35 740 NR M BS 3550 CL2 M60 ANT	LED		7,4	96276043
IP 48L50 740 NR M BS 3550 CL2 M60 ANT	LED		7,4	96276044
IP 48L70 740 NR M BS 3550 CL2 M60 ANT	LED		7,4	96276045
IP 60L35 740 NR M BS 3550 CL2 M60 ANT	LED		7,6	96276046
IP 60L50 740 NR M BS 3550 CL2 M60 ANT	LED		7,6	96276047
IP 60L70 740 NR M BS 3550 CL2 M60 ANT	LED		7,6	96276048
IP 72L35 740 NR M BS 3550 CL2 M60 ANT	LED		7,7	96276049
IP 72L50 740 NR M BS 3550 CL2 M60 ANT	LED		7,7	96276050
IP 72L70 740 NR M BS 3550 CL2 M60 ANT	LED		7,7	96276051
IP 60L70 730 NR M BS 3550 CL2 M60 ANT	LED		7,6	92904896
IP 72L70 730 NR M BS 3550 CL2 M60 ANT	LED		7,7	92904899
IP 48L50 730 NR M BS 3550 CL2 M60 ANT	LED		7,443	92906348
IP 48L70 730 NR M BS 3550 CL2 M60 ANT	LED		7,443	92906380
IP 48L35 730 NR M BS 3550 CL2 M60 ANT	LED		7,443	92906648
IP 60L35 730 NR M BS 3550 CL2 M60 ANT	LED		7,443	92906655

Isaro Pro

Description	ILCOS Code	Socket	Wt (kg)	SAP Code
IP 72L35 730 NR M BS 3550 CL2 M60 ANT	LED		7,65	92907675
IP 60L50 730 NR M BS 3550 CL2 M60 ANT	LED		7,443	92907676
IP 72L50 730 NR M BS 3550 CL2 M60 ANT	LED		7,65	92907677
IP 48L35-740 NR BP 3550 CL2 M60 GY-S	LED		6,7	96636177
IP 48L50-740 NR BP 3550 CL2 M60 GY-S	LED		6,7	96636178
IP 48L70-740 NR BP 3550 CL2 M60 GY-S	LED		6,93	96636179
IP 60L35-740 NR BP 3550 CL2 M60 GY-S	LED		6,99	96636180
IP 60L50-740 NR BP 3550 CL2 M60 GY-S	LED		6,99	96636181
IP 60L70-740 NR BP 3550 CL2 M60 GY-S	LED		6,99	96636182
IP 72L35-740 NR BP 3550 CL2 M60 GY-S	LED		7,05	96636183
IP 72L50-740 NR BP 3550 CL2 M60 GY-S	LED		7,05	96636184
IP 72L70-740 NR BP 3550 CL2 M60 GY-S	LED		7,3	96636185

Isaro Pro Medium, Wide street optic

IP 48L35 740 WS M BS 3550 CL2 M60 ANT	LED		7,4	92904706
IP 60L70 740 WS M BS 3550 CL2 M60 ANT	LED		7,6	92904771
IP 72L35 740 WS M BS 3550 CL2 M60 ANT	LED		7,7	92904783
IP 72L50 740 WS M BS 3550 CL2 M60 ANT	LED		7,7	92904797
IP 72L70 740 WS M BS 3550 CL2 M60 ANT	LED		7,7	92904810
IP 48L50 740 WS M BS 3550 CL2 M60 ANT	LED		7,4	92904720
IP 48L70 740 WS M BS 3550 CL2 M60 ANT	LED		7,4	92904732
IP 60L35 740 WS M BS 3550 CL2 M60 ANT	LED		7,6	92904745
IP 60L50 740 WS M BS 3550 CL2 M60 ANT	LED		7,6	92904758
IP 60L70-740 WS BP 3550 CL1 M42 GY-S	LED		7,6	92905194
IP 72L35-740 WS BP 3550 CL1 M42 GY-S	LED		7,7	92905210
<IP 72L50-740 WS BP CL1 M42 GY-S	LED		7,7	92905222
IP 48L35-740 WS BP 3550 CL1 M42 GY-S	LED		7,4	92905131
IP 48L50-740 WS BP 3550 CL1 M42 GY-S	LED		7,4	92905144
IP 48L70-740 WS BP 3550 CL1 M42 GY-S	LED		7,4	92905157
IP 60L35-740 WS BP 3550 CL1 M42 GY-S	LED		7,6	92905170
IP 60L50-740 WS BP 3550 CL1 M42 GY-S	LED		7,6	92905186
IP 72L70-740 WS BP 3550 CL1 M42 GY-S	LED		7,7	92905235

Isaro Pro Medium, Wide street comfort optic

IP 48L35 740 WSC M BS 3550 CL2 M60 ANT	LED		7,4	92904707
IP 60L70 740 WSC M BS 3550 CL2 M60 ANT	LED		7,6	92904772
IP 72L35 740 WSC M BS 3550 CL2 M60 ANT	LED		7,7	92904785
IP 72L50 740 WSC M BS 3550 CL2 M60 ANT	LED		7,7	92904798
IP 72L70 740 WSC M BS 3550 CL2 M60 ANT	LED		7,7	92904811
IP 48L70 740 WSC M BS 3550 CL2 M60 ANT	LED		7,4	92904733
IP 48L50 740 WSC M BS 3550 CL2 M60 ANT	LED		7,4	92904734
IP 60L35 740 WSC M BS 3550 CL2 M60 ANT	LED		7,6	92904746
IP 60L50 740 WSC M BS 3550 CL2 M60 ANT	LED		7,6	92904759
IP 60L70-740 WSC BP 3550 CL1 M42 GY-S	LED		7,6	92905195
<IP 72L50-740 WSC BP CL1 M42 GY-S	LED		7,7	92905224
IP 48L35-740 WSC BP 3550 CL1 M42 GY-S	LED		7,4	92905132
IP 48L50-740 WSC BP 3550 CL1 M42 GY-S	LED		7,4	92905145
IP 48L70-740 WSC BP 3550 CL1 M42 GY-S	LED		7,4	92905158

Isaro Pro

Description	ILCOS Code	Socket	Wt (kg)	SAP Code
IP 60L35-740 WSC BP 3550 CL1 M42 GY-S	LED		7,6	92905171
IP 60L50-740 WSC BP 3550 CL1 M42 GY-S	LED		7,6	92905182
IP 72L70-740 WSC BP 3550 CL1 M42 GY-S	LED		7,7	92905236
IP 60L70 730 WSC M BS 3550 CL2 M60 ANT	LED		7,7	92908007
IP 48L70 730 WSC M BS 3550 CL2 M60 ANT	LED		7,443	92909037
IP 72L70 730 WSC M BS 3550 CL2 M60 ANT	LED		7,7	92911306
IP 48L35 730 WSC M BS 3550 CL2 M60 ANT	LED		7,443	92911362
IP 48L50 730 WSC M BS 3550 CL2 M60 ANT	LED		7,5	92911363
IP 60L35 730 WSC M BS 3550 CL2 M60 ANT	LED		7,5	92911364
IP 60L50 730 WSC M BS 3550 CL2 M60 ANT	LED		7,543	92911365
IP 72L35 730 WSC M BS 3550 CL2 M60 ANT	LED		7,65	92911367
IP 72L50 730 WSC M BS 3550 CL2 M60 ANT	LED		7,65	92911368
Isaro Pro Medium, Wet road optic				
IP 48L35 740 RWT M BS 3550 CL2 M60 ANT	LED		7,4	92904703
IP 48L50 740 RWT M BS 3550 CL2 M60 ANT	LED		7,4	92904716
IP 60L70 740 RWT M BS 3550 CL2 M60 ANT	LED		7,6	92904768
IP 72L35 740 RWT M BS 3550 CL2 M60 ANT	LED		7,7	92904781
IP 72L50 740 RWT M BS 3550 CL2 M60 ANT	LED		7,7	92904794
IP 72L70 740 RWT M BS 3550 CL2 M60 ANT	LED		7,7	92904808
IP 48L70 740 RWT M BS 3550 CL2 M60 ANT	LED		7,4	92904730
IP 60L35 740 RWT M BS 3550 CL2 M60 ANT	LED		7,6	92904742
IP 60L50 740 RWT M BS 3550 CL2 M60 ANT	LED		7,6	92904755
IP 72L35-740 RWT BP 3550 CL1 M42 GY-S	LED		7,7	92905206
<IP 72L50-740 RWT BP CL1 M42 GY-S	LED		7,7	92905219
IP 48L35-740 RWT BP 3550 CL1 M42 GY-S	LED		7,4	92905128
IP 48L50-740 RWT BP 3550 CL1 M42 GY-S	LED		7,4	92905141
IP 48L70-740 RWT BP 3550 CL1 M42 GY-S	LED		7,4	92905152
IP 60L35-740 RWT BP 3550 CL1 M42 GY-S	LED		7,6	92905167
IP 60L50-740 RWT BP 3550 CL1 M42 GY-S	LED		7,6	92905179
IP 60L70-740 RWT BP 3550 CL1 M42 GY-S	LED		7,6	92905191
IP 72L70-740 RWT BP 3550 CL1 M42 GY-S	LED		7,7	92905239
Isaro Pro Medium, Road comfort optic				
IP 48L35 740 RC M BS 3550 CL2 M60 ANT	LED		7,4	92904702
IP 48L50 740 RC M BS 3550 CL2 M60 ANT	LED		7,4	92904715
IP 72L35 740 RC M BS 3550 CL2 M60 ANT	LED		7,7	92904780
IP 60L70 740 RC M BS 3550 CL2 M60 ANT	LED		7,6	92904786
IP 72L50 740 RC M BS 3550 CL2 M60 ANT	LED		7,7	92904793
IP 72L70 740 RC M BS 3550 CL2 M60 ANT	LED		7,7	92904807
IP 48L70 740 RC M BS 3550 CL2 M60 ANT	LED		7,4	92904728
IP 60L35 740 RC M BS 3550 CL2 M60 ANT	LED		7,6	92904741
IP 60L50 740 RC M BS 3550 CL2 M60 ANT	LED		7,6	92904754
IP 60L70-740 RC BP 3550 CL1 M42 GY-S	LED		7,6	92905197
<IP 72L35-740 RC BP CL1 M42 GY-S	LED		7,7	92905212
<IP 72L50-740 RC BP CL1 M42 GY-S	LED		7,7	92905218
IP 48L35-740 RC BP 3550 CL1 M42 GY-S	LED		7,4	92905127
IP 48L50-740 RC BP 3550 CL1 M42 GY-S	LED		7,4	92905140

Isaro Pro

Description	ILCOS Code	Socket	Wt (kg)	SAP Code
IP 48L70-740 RC BP 3550 CL1 M42 GY-S	LED		7,4	92905153
IP 60L35-740 RC BP 3550 CL1 M42 GY-S	LED		7,6	92905166
IP 60L50-740 RC BP 3550 CL1 M42 GY-S	LED		7,6	92905178
<IP 72L70-740 RC BP CL1 M42 GY-S	LED		7,7	92905232

Isaro Pro Medium, Wide road optic

IP 48L35 740 WR M BS 3550 CL2 M60 ANT	LED		7,4	92904704
IP 48L50 740 WR M BS 3550 CL2 M60 ANT	LED		7,4	92904717
IP 60L70 740 WR M BS 3550 CL2 M60 ANT	LED		7,6	92904769
IP 72L35 740 WR M BS 3550 CL2 M60 ANT	LED		7,7	92904782
IP 72L50 740 WR M BS 3550 CL2 M60 ANT	LED		7,7	92904795
IP 72L70 740 WR M BS 3550 CL2 M60 ANT	LED		7,7	92904817
IP 48L70 740 WR M BS 3550 CL2 M60 ANT	LED		7,4	92904729
IP 60L35 740 WR M BS 3550 CL2 M60 ANT	LED		7,6	92904743
IP 60L50 740 WR M BS 3550 CL2 M60 ANT	LED		7,6	92904756
IP 60L70-740 WR BP 3550 CL1 M42 GY-S	LED		7,6	92905192
IP 72L35-740 WR BP 3550 CL1 M42 GY-S	LED		7,7	92905207
<IP 72L50-740 WR BP CL1 M42 GY-S	LED		7,7	92905220
IP 48L35-740 WR BP 3550 CL1 M42 GY-S	LED		7,4	92905129
IP 48L50-740 WR BP 3550 CL1 M42 GY-S	LED		7,4	92905142
IP 48L70-740 WR BP 3550 CL1 M42 GY-S	LED		7,4	92905155
IP 60L35-740 WR BP 3550 CL1 M42 GY-S	LED		7,6	92905168
IP 60L50-740 WR BP 3550 CL1 M42 GY-S	LED		7,6	92905183
IP 72L70-740 WR BP 3550 CL1 M42 GY-S	LED		7,7	92905233

Isaro Pro Medium, Extra wide street optic

IP 48L35 740 EWS M BS 3550 CL2 M60 ANT	LED		7,4	92904708
IP 60L70 740 EWS M BS 3550 CL2 M60 ANT	LED		7,6	92904773
IP 72L35 740 EWS M BS 3550 CL2 M60 ANT	LED		7,7	92904788
IP 72L50 740 EWS M BS 3550 CL2 M60 ANT	LED		7,7	92904799
IP 72L70 740 EWS M BS 3550 CL2 M60 ANT	LED		7,7	92904812
IP 48L50 740 EWS M BS 3550 CL2 M60 ANT	LED		7,4	92904721
IP 48L70 740 EWS M BS 3550 CL2 M60 ANT	LED		7,4	92904735
IP 60L35 740 EWS M BS 3550 CL2 M60 ANT	LED		7,6	92904747
IP 60L50 740 EWS M BS 3550 CL2 M60 ANT	LED		7,6	92904760
IP 60L70-740 EWS BP 3550 CL1 M42 GY-S	LED		7,6	92905196
<IP 72L35-740 EWS BP CL1 M42 GY-S	LED		7,7	92905215
IP 48L35-740 EWS BP 3550 CL1 M42 GY-S	LED		7,4	92905133
IP 48L50-740 EWS BP 3550 CL1 M42 GY-S	LED		7,4	92905146
IP 48L70-740 EWS BP 3550 CL1 M42 GY-S	LED		7,4	92905159
IP 60L35-740 EWS BP 3550 CL1 M42 GY-S	LED		7,6	92905172
IP 60L50-740 EWS BP 3550 CL1 M42 GY-S	LED		7,6	92905189
IP 72L50-740 EWS BP 3550 CL1 M42 GY-S	LED		7,7	92905237
IP 72L70-740 EWS BP 3550 CL1 M42 GY-S	LED		7,7	92905238

Isaro Pro Medium, Pedestrian crossing optic

IP 48L35 740 IVS M BS 3550 CL2 M60 ANT	LED		7,4	92904710
IP 60L70 740 IVS M BS 3550 CL2 M60 ANT	LED		7,6	92904775
IP 72L35 740 IVS M BS 3550 CL2 M60 ANT	LED		7,7	92904789

Isaro Pro

Description	ILCOS Code	Socket	Wt (kg)	SAP Code
IP 72L50 740 IVS M BS 3550 CL2 M60 ANT	LED		7,7	92904801
IP 72L70 740 IVS M BS 3550 CL2 M60 ANT	LED		7,7	92904814
IP 48L50 740 IVS M BS 3550 CL2 M60 ANT	LED		7,4	92904723
IP 48L70 740 IVS M BS 3550 CL2 M60 ANT	LED		7,4	92904737
IP 60L35 740 IVS M BS 3550 CL2 M60 ANT	LED		7,6	92904750
IP 60L50 740 IVS M BS 3550 CL2 M60 ANT	LED		7,6	92904762
IP 60L70-740 IVS BP 3550 CL1 M42 GY-S	LED		7,6	92905201
<IP 72L35-740 IVS BP CL1 M42 GY-S	LED		7,7	92905214
IP 48L35-740 IVS BP 3550 CL1 M42 GY-S	LED		7,4	92905135
IP 48L50-740 IVS BP 3550 CL1 M42 GY-S	LED		7,4	92905148
IP 48L70-740 IVS BP 3550 CL1 M42 GY-S	LED		7,4	92905161
IP 60L35-740 IVS BP 3550 CL1 M42 GY-S	LED		7,6	92905175
IP 60L50-740 IVS BP 3550 CL1 M42 GY-S	LED		7,6	92905185
<IP 72L50-740 IVS BP CL1 M42 GY-S	LED		7,7	92905231
IP 72L70-740 IVS BP 3550 CL1 M42 GY-S	LED		7,7	92905241

Isaro Pro Medium, Street comfort optic

IP 48L35 740 SC M BS 3550 CL2 M60 ANT	LED		7,4	92904712
IP 60L70 740 SC M BS 3550 CL2 M60 ANT	LED		7,6	92904778
IP 72L35 740 SC M BS 3550 CL2 M60 ANT	LED		7,7	92904790
IP 72L50 740 SC M BS 3550 CL2 M60 ANT	LED		7,7	92904803
IP 72L70 740 SC M BS 3550 CL2 M60 ANT	LED		7,7	92904816
IP 48L50 740 SC M BS 3550 CL2 M60 ANT	LED		7,4	92904725
IP 48L70 740 SC M BS 3550 CL2 M60 ANT	LED		7,4	92904739
IP 60L35 740 SC M BS 3550 CL2 M60 ANT	LED		7,6	92904751
IP 60L50 740 SC M BS 3550 CL2 M60 ANT	LED		7,6	92904764
IP 60L70-740 SC BP 3550 CL1 M42 GY-S	LED		7,6	92905200
<IP 72L35-740 SC BP CL1 M42 GY-S	LED		7,7	92905216
IP 48L35-740 SC BP 3550 CL1 M42 GY-S	LED		7,4	92905137
IP 48L50-740 SC BP 3550 CL1 M42 GY-S	LED		7,4	92905150
IP 48L70-740 SC BP 3550 CL1 M42 GY-S	LED		7,4	92905163
IP 60L35-740 SC BP 3550 CL1 M42 GY-S	LED		7,6	92905174
IP 60L50-740 SC BP 3550 CL1 M42 GY-S	LED		7,6	92905187
IP 72L50-740 SC BP 3550 CL1 M42 GY-S	LED		7,7	92905228
IP 72L70-740 SC BP 3550 CL1 M42 GY-S	LED		7,7	92905242

Isaro Pro Medium, Extra wide street comfort optic

IP 48L35 740 EWC M BS 3550 CL2 M60 ANT	LED		7,4	92904709
IP 60L70 740 EWC M BS 3550 CL2 M60 ANT	LED		7,6	92904774
IP 72L35 740 EWC M BS 3550 CL2 M60 ANT	LED		7,7	92904787
IP 72L70 740 EWC M BS 3550 CL2 M60 ANT	LED		7,7	92904813
IP 48L50 740 EWC M BS 3550 CL2 M60 ANT	LED		7,4	92904722
IP 48L70 740 EWC M BS 3550 CL2 M60 ANT	LED		7,4	92904736
IP 60L35 740 EWC M BS 3550 CL2 M60 ANT	LED		7,6	92904749
IP 60L50 740 EWC M BS 3550 CL2 M60 ANT	LED		7,6	92904761
IP 60L70-740 EWC BP 3550 CL1 M42 GY-S	LED		7,6	92905198
<IP 72L35-740 EWC BP CL1 M42 GY-S	LED		7,7	92905213
IP 48L35-740 EWC BP 3550 CL1 M42 GY-S	LED		7,4	92905134

Isaro Pro

Description	ILCOS Code	Socket	Wt (kg)	SAP Code
IP 48L50-740 EWC BP 3550 CL1 M42 GY-S	LED		7,4	92905147
IP 48L70-740 EWC BP 3550 CL1 M42 GY-S	LED		7,4	92905160
IP 60L35-740 EWC BP 3550 CL1 M42 GY-S	LED		7,6	92905173
IP 60L50-740 EWC BP 3550 CL1 M42 GY-S	LED		7,6	92905184
<IP 72L50-740 EWC BP CL1 M42 GY-S	LED		7,7	92905226
IP 72L70-740 EWC BP 3550 CL1 M42 GY-S	LED		7,7	92905240

Isaro Pro Medium, Extra wide road optic

IP 48L35 740 EWR M BS 3550 CL2 M60 ANT	LED		7,4	92904705
IP 60L70 740 EWR M BS 3550 CL2 M60 ANT	LED		7,6	92904770
IP 72L35 740 EWR M BS 3550 CL2 M60 ANT	LED		7,7	92904784
IP 72L50 740 EWR M BS 3550 CL2 M60 ANT	LED		7,7	92904796
IP 72L70 740 EWR M BS 3550 CL2 M60 ANT	LED		7,7	92904809
IP 48L70 740 EWR M BS 3550 CL2 M60 ANT	LED		7,4	92904731
IP 60L35 740 EWR M BS 3550 CL2 M60 ANT	LED		7,6	92904744
IP 60L50 740 EWR M BS 3550 CL2 M60 ANT	LED		7,6	92904757
IP 48L50 740 EWR M BS 3550 CL2 M60 ANT	LED		7,4	92904719
IP 60L70-740 EWR BP 3550 CL1 M42 GY-S	LED		7,6	92905193
<IP 72L35-740 EWR BP CL1 M42 GY-S	LED		7,7	92905208
IP 48L35-740 EWR BP 3550 CL1 M42 GY-S	LED		7,4	92905130
IP 48L50-740 EWR BP 3550 CL1 M42 GY-S	LED		7,4	92905143
IP 48L70-740 EWR BP 3550 CL1 M42 GY-S	LED		7,4	92905156
IP 60L35-740 EWR BP 3550 CL1 M42 GY-S	LED		7,6	92905169
IP 60L50-740 EWR BP 3550 CL1 M42 GY-S	LED		7,6	92905181

Isaro Pro Medium, Extra narrow road optic

IP 48L35 740 ENR M BS 3550 CL2 M60 ANT	LED		7,4	92904700
IP 48L50 740 ENR M BS 3550 CL2 M60 ANT	LED		7,4	92904713
IP 60L70 740 ENR M BS 3550 CL2 M60 ANT	LED		7,6	92904766
IP 72L35 740 ENR M BS 3550 CL2 M60 ANT	LED		7,7	92904777
IP 72L50 740 ENR M BS 3550 CL2 M60 ANT	LED		7,7	92904791
IP 72L70 740 ENR M BS 3550 CL2 M60 ANT	LED		7,7	92904804
IP 48L70 740 ENR M BS 3550 CL2 M60 ANT	LED		7,4	92904726
IP 60L35 740 ENR M BS 3550 CL2 M60 ANT	LED		7,6	92904748
IP 60L50 740 ENR M BS 3550 CL2 M60 ANT	LED		7,6	92904752
IP 72L35-740 ENR BP 3550 CL1 M42 GY-S	LED		7,7	92905205
<IP 72L50-740 ENR BP CL1 M42 GY-S	LED		7,7	92905217
IP 48L35-740 ENR BP 3550 CL1 M42 GY-S	LED		7,4	92905125
IP 48L50-740 ENR BP 3550 CL1 M42 GY-S	LED		7,4	92905138
IP 48L70-740 ENR BP 3550 CL1 M42 GY-S	LED		7,4	92905151
IP 60L35-740 ENR BP 3550 CL1 M42 GY-S	LED		7,6	92905164
IP 60L50-740 ENR BP 3550 CL1 M42 GY-S	LED		7,6	92905180
IP 60L70-740 ENR BP 3550 CL1 M42 GY-S	LED		7,6	92905190
<IP 72L70-740 ENR BP CL1 M42 GY-S	LED		7,7	92905229

Isaro Pro Medium, Extensive street optic

IP 48L35 740 ES M BS 3550 CL2 M60 ANT	LED		7,4	92904701
IP 48L50 740 ES M BS 3550 CL2 M60 ANT	LED		7,4	92904714
IP 60L70 740 ES M BS 3550 CL2 M60 ANT	LED		7,6	92904767

Isaro Pro

Description	ILCOS Code	Socket	Wt (kg)	SAP Code
IP 72L35 740 ES M BS 3550 CL2 M60 ANT	LED		7,7	92904779
IP 72L50 740 ES M BS 3550 CL2 M60 ANT	LED		7,7	92904792
IP 72L70 740 ES M BS 3550 CL2 M60 ANT	LED		7,7	92904805
IP 48L70 740 ES M BS 3550 CL2 M60 ANT	LED		7,4	92904727
IP 60L35 740 ES M BS 3550 CL2 M60 ANT	LED		7,6	92904740
IP 60L50 740 ES M BS 3550 CL2 M60 ANT	LED		7,6	92904753
IP 60L70-740 ES BP 3550 CL1 M42 GY-S	LED		7,6	92905199
<IP 72L35-740 ES BP CL1 M42 GY-S	LED		7,7	92905209
IP 48L35-740 ES BP 3550 CL1 M42 GY-S	LED		7,4	92905126
IP 48L50-740 ES BP 3550 CL1 M42 GY-S	LED		7,4	92905139
IP 48L70-740 ES BP 3550 CL1 M42 GY-S	LED		7,4	92905154
IP 60L35-740 ES BP 3550 CL1 M42 GY-S	LED		7,6	92905165
IP 60L50-740 ES BP 3550 CL1 M42 GY-S	LED		7,6	92905176
<IP 72L50-740 ES BP CL1 M42 GY-S	LED		7,7	92905225
IP 72L70-740 ES BP CL1 M42 GY-S	LED		7,7	92905230

Isaro Pro Medium, Staggered road optic

IP 48L35 740 SR M BS 3550 CL2 M60 ANT	LED		7,4	92904711
IP 60L35 740 SR M BS 3550 CL2 M60 ANT	LED		7,6	92904765
IP 60L70 740 SR M BS 3550 CL2 M60 ANT	LED		7,6	92904776
<IP 72L50-740 SR BPS CL2 M60 ANT	LED		7,7	92904802
IP 72L35 740 SR M BS 3550 CL2 M60 ANT	LED		7,7	92904806
IP 72L70 740 SR M BS 3550 CL2 M60 ANT	LED		7,7	92904815
IP 48L50 740 SR M BS 3550 CL2 M60 ANT	LED		7,4	92904724
IP 48L70 740 SR M BS 3550 CL2 M60 ANT	LED		7,4	92904738
IP 60L50 740 SR M BS 3550 CL2 M60 ANT	LED		7,6	92904763
IP 60L70-740 SR BP 3550 CL1 M42 GY-S	LED		7,6	92905202
<IP 72L35-740 SR BP CL1 M42 GY-S	LED		7,7	92905223
IP 48L35-740 SR BP 3550 CL1 M42 GY-S	LED		7,4	92905136
IP 48L50-740 SR BP 3550 CL1 M42 GY-S	LED		7,4	92905149
IP 48L70-740 SR BP 3550 CL1 M42 GY-S	LED		7,4	92905162
IP 60L35-740 SR BP 3550 CL1 M42 GY-S	LED		7,6	92905177
IP 60L50-740 SR BP 3550 CL1 M42 GY-S	LED		7,6	92905188
<IP 72L50-740 SR BP CL1 M42 GY-S	LED		7,7	92905227
IP 72L70-740 SR BP 3550 CL1 M42 GY-S	LED		7,7	92905243

Isaro Pro accessories

ISARO PRO LOUVRE FRONT&BACK&LEFT&RIGHT			0,5	96630495
ISARO PRO PC IK10			0,45	96630496
ISARO PRO SPIGOT D42 M42 GY			5,387	59010559
ISARO PRO SPIGOT D60 M60 GY			5,387	59010560
ISARO PRO SPIGOT D76 M76 GY			5,4	59010561
ISARO PRO SPIGOT D42 M42 ANT			5,387	59010562
ISARO PRO SPIGOT D60 M60 ANT			5,387	59010563
ISARO PRO SPIGOT D76 M76 ANT			5,387	59010564
ISARO PRO SPIGOT D42 M42			5,4	59010718
ISARO PRO SPIGOT D60 M60			5,4	59010719
ISARO PRO SPIGOT D76 M76			5,4	59010720

Isaro Pro

Description	ILCOS Code	Socket	Wt (kg)	SAP Code
ISARO PRO M LOUVRE FRONT&BACK&LEFT&RIGHT			1,1	96630969
ISARO PRO M PC IK10			0,9	96630970