

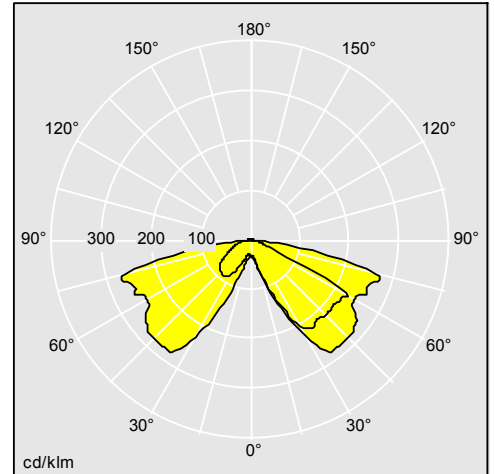
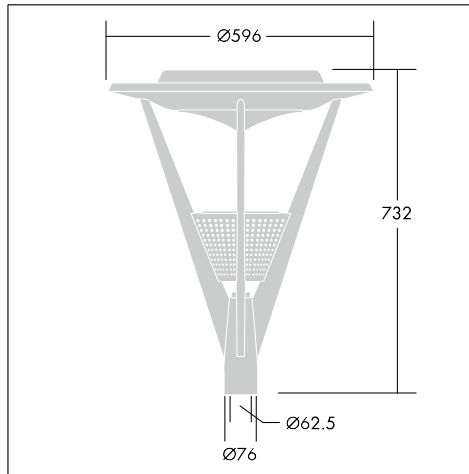
Avenue D2

An elegant and efficient lantern with a drop like enclosure to provide a unique lighting signature and comfortable light

- IDA Dark Sky Approved
- *IDA fixture seal of approval relates to ≤ 3000 K only and clear enclosures. Luminaires must be mounted as photometered.
- Respectful of the environment with warm color temperature and reduced upward lighting $<1\%$ with dedicated optics (RSC, CST)
- Zd4i certified on request
- Decorative lampshield in copper or steel to create your own identity



Photographs, line drawings and photometric data are representative only. For specific product detail please select an individual product.



96261370

Material/Finish

Base and arms: die cast aluminium (EN AC-46000, standard corrosion class C3).

Canopy: spun aluminium.

Finish: powder coated anthracite textured grey 900 (close to RAL7043). Via myProduct: Texturized light grey (GY), Black (BK) and 48 other RAL possibilities

Lampshield: metallised PC with copper or stainless steel, special varnish to prevent ageing effect and preserve the initial gloss appearance.

Diffuser: UV stabilised PC frosted or clear polycarbonate

Reflector and mirrors (street distribution): high reflective anodised aluminium.

Screw fixings: stainless steel.

Installation/Mounting

Post top mounting: on spigot/columns $\text{Ø}60\text{mm}$. Recommended height: 3/4m, coordinated Avenue wall bracket. Spigot: 60mm (length: 90mm). Access to gear and LED module (replaceable) via 4 screws from the canopy. Product supplied with connector below the lantern or pre-wired with HO5 RN-F cable. Delivered ready to install, complete with factory fitted integral gear, all supplied in one box.

Specification

To specify state:

Decorative post-top LED lantern with clear or frosted diffuser, copper or stainless steel finish lampshields. Street or symmetrical distributions including specific optics to target low ULOR.

/ Bi-Power (BP) / Constant Light Output (CLO)/Bi-power Switch (BS)/ Zhaga interface Up (ZU)

Dedicated wall mounted bracket.

As Thorn Avenue D2

Avenue D2

Ordering Guide Supplied complete with LEDs

Description	ILCOS Code	Socket	Wt (kg)	SAP Code
Avenue D2 Symmetrical optic, copper lampshield				
<AVD 18L35-740 RS BS 3550 CL2 CU CON ANT	LED		8,6	96261356
<AVD 18L50-740 RS BS 3550 CL2 CU CON ANT	LED		8,6	96261357
<AVD 18L70-740 RS BS 3550 CL2 CU CON ANT	LED		8,6	96261358
<AVD 18L35-730 RS BS 3550 CL2 CU CON ANT	LED		8,6	96261359
<AVD 18L50-730 RS BS 3550 CL2 CU CON ANT	LED		8,6	96261360
<AVD 18L70-730 RS BS 3550 CL2 CU CON ANT	LED		8,6	96261361
<AVD 18L35 730 RS BS 3550 CL2 CU N4M ANT	LED		9	96261380
AVD 18L50 730 RS BS 3550 CL2 CU N4M ANT	LED		9	96261381
<AVD 18L70 730 RS BS 3550 CL2 CU N4M ANT	LED		9	96261382
<AVD 18L35-740 RS BS 3550 CL1 CU CON ANT	LED		8,6	96261392
<AVD 18L50-740 RS BS 3550 CL1 CU CON ANT	LED		8,6	96261393
<AVD 18L70-740 RS BS 3550 CL1 CU CON ANT	LED		8,6	96261394
<AVD 18L35-730 RSC BS 3550 CL2 CU CON ->	LED		8,6	96633405
<AVD 18L50-730 RSC BS 3550 CL2 CU CON ->	LED		8,6	96633406
<AVD 18L70-730 RSC BS 3550 CL2 CU CON ->	LED		8,6	96633407
Avenue D2 Symmetrical optic, stainless steel lampshield				
<AVD 18L35-740 RS BS 3550 CL2 ST CON ANT	LED		8,6	96261362
<AVD 18L50-740 RS BS 3550 CL2 ST CON ANT	LED		8,6	96261363
<AVD 18L70-740 RS BS 3550 CL2 ST CON ANT	LED		8,6	96261364
<AVD 18L35-730 RS BS 3550 CL2 ST CON ANT	LED		8,6	96261365
<AVD 18L50-730 RS BS 3550 CL2 ST CON ANT	LED		8,6	96261366
<AVD 18L70-730 RS BS 3550 CL2 ST CON ANT	LED		8,6	96261367
<AVD 18L35 730 RS BS 3550 CL2 ST N4M ANT	LED		9	96261383
<AVD 18L50 730 RS BS 3550 CL2 ST N4M ANT	LED		9	96261384
<AVD 18L70 730 RS BS 3550 CL2 ST N4M ANT	LED		9	96261385
<AVD 18L35-740 RS BS 3550 CL1 ST CON ANT	LED		8,6	96261395
<AVD 18L50-740 RS BS 3550 CL1 ST CON ANT	LED		8,6	96261396
<AVD 18L70-740 RS BS 3550 CL1 ST CON ANT	LED		8,6	96261397
<AVD 18L35-730 RSC BS 3550 CL2 ST CON ->	LED		8,6	96633402
<AVD 18L50-730 RSC BS 3550 CL2 ST CON ->	LED		8,6	96633403
<AVD 18L70-730 RSC BS 3550 CL2 ST CON ->	LED		8,6	96633404
<AVD 18L35-730 RS CL1 ST CON ANT	LED		8,8	96679933
<AVD 18L50-730 RS CL1 ST CON ANT	LED		8,8	96679934
<AVD 18L70-730 RS CL1 ST CON ANT	LED		8,8	96679935
<AVD 18L35-730 RS CL2 ST CON ANT	LED		8,8	96679936
<AVD 18L50-730 RS CL2 ST CON ANT	LED		8,8	96679937
<AVD 18L70-730 RS CL2 ST CON ANT	LED		8,8	96679938
Avenue D2 Asymmetrical (street) optic, copper lampshield				
<AVD 18L35-740 WST BS 3550 CL2 CU CON AN	LED		8,6	96261368
<AVD 18L50-740 WST BS 3550 CL2 CU CON AN	LED		8,6	96261369
<AVD 18L70-740 WST BS 3550 CL2 CU CON AN	LED		8,6	96261370
<AVD 18L35-730 WST BS 3550 CL2 CU CON AN	LED		8,6	96261371
<AVD 18L50-730 WST BS 3550 CL2 CU CON AN	LED		8,6	96261372

Avenue D2

Description	ILCOS Code	Socket	Wt (kg)	SAP Code
<AVD 18L70-730 WST BS 3550 CL2 CU CON AN	LED		8,6	96261373
<AVD 18L35 730 WST BS 3550 CL2 CU N4M AN	LED		9	96261386
<AVD 18L50 730 WST BS 3550 CL2 CU N4M AN	LED		9	96261387
<AVD 18L70 730 WST BS 3550 CL2 CU N4M AN	LED		9	96261388
<AVD 18L35-740 WST BS 3550 CL1 CU CON AN	LED		8,6	96261398
<AVD 18L50-740 WST BS 3550 CL1 CU CON AN	LED		8,6	96261399
<AVD 18L70-740 WST BS 3550 CL1 CU CON AN	LED		8,6	96261400
Avenue D2 Asymmetrical (street) optic, stainless steel lampshield				
<AVD 18L35-740 WST BS 3550 CL2 ST CON AN	LED		8,6	96261374
<AVD 18L50-740 WST BS 3550 CL2 ST CON AN	LED		8,6	96261375
<AVD 18L70-740 WST BS 3550 CL2 ST CON AN	LED		8,6	96261376
<AVD 18L35-730 WST BS 3550 CL2 ST CON AN	LED		8,6	96261377
<AVD 18L50-730 WST BS 3550 CL2 ST CON AN	LED		8,6	96261378
<AVD 18L70-730 WST BS 3550 CL2 ST CON AN	LED		8,6	96261379
<AVD 18L35 730 WST BS 3550 CL2 ST N4M AN	LED		9	96261389
<AVD 18L50 730 WST BS 3550 CL2 ST N4M AN	LED		9	96261390
<AVD 18L70 730 WST BS 3550 CL2 ST N4M AN	LED		9	96261391
<AVD 18L35-740 WST BS 3550 CL1 ST CON AN	LED		8,6	96261401
<AVD 18L50-740 WST BS 3550 CL1 ST CON AN	LED		8,6	96261402
<AVD 18L70-740 WST BS 3550 CL1 ST CON AN	LED		8,6	96261403
Avenue D2 Accessories				
<AVENUE D BRA MWA TX ANT			4	96005422