

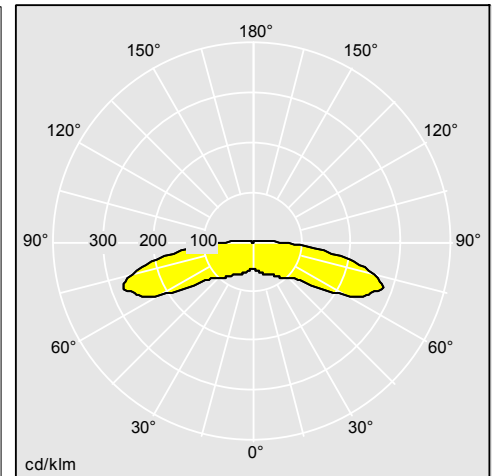
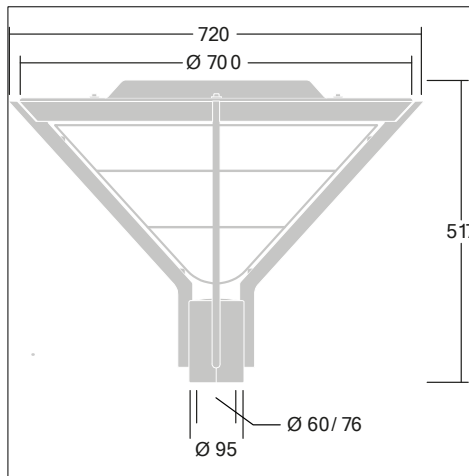
## Avenue F2

### Post top lantern with a distinctive design and lighting signature

- IDA Dark Sky Approved
- \*IDA fixture seal of approval relates to  $\leq 3000$  K only and clear enclosures. Luminaires must be mounted as photometered.
- With conical bowl and prismatic crown for reduced glare and distinctive appearance
- With flat enclosure for minimum upward lighting, preserving dark skies
- Connectivity with Zhaga socket
- Choice of dimming options and controls to reduce energy consumption and preserve dark skies
- OTHER OPTIONS ARE AVAILABLE (colour temperature, controls, colour...). See myProduct for configuration options



Photographs, line drawings and photometric data are representative only. For specific product detail please select an individual product.



96260128

### Material/Finish

Base and arms: die cast aluminium (AS9U3, LM24 equivalent, EN AC-46000, standard corrosion class C3).  
 Canopy: spun aluminium  
 Finish: texturised anthracite (close to RAL7043), Choice of RAL colors via Myproduct  
 Diffuser: clear UV stabilised PC  
 Screw fixings: stainless steel

### Installation/Mounting

Suitable for mounting on top Ø76mm or Ø60mm, spigot internal length: 100mm. Recommended height: 3/4m. Equipped with cable gland or pre-wired with HO5VVF cable. Spare drivers and LED modules available. Delivered ready to install, complete with factory fitted integral gear tray, all supplied in a single carton.

### Specification

To specify state:

Post top decorative lantern with 4 brackets, 2 different bowl enclosures : one conical with prismatic crown for distinctive lighting signature, the second with a flat enclosure to minimize lighting pollution. A choice of optics, controls and Zhaga connectivity addressing urban applications like parks, plazas, streets.

As Thorn Avenue F2.

## Avenue F2

**Ordering Guide** Supplied complete with LEDs

Description	ILCOS Code	Socket	Wt (kg)	SAP Code
<b>Avenue F2 with conical bowl</b>				
AVF 18L70-740 WST CL BS 3550 CL1 CON ->	LED		9,2	96260033
AVF 18L70-740 WST CL PM CL1 CON T76 ANT	LED		9,3	96260034
AVF 18L70-740 RS CL BS 3550 CL1 CON ->	LED		9,1	96260021
AVF 18L70-740 RS CL BS 3550 CL1 CON ->	LED		9	96260059
AVF 18L35-740 RS CL BS 3550 CL2 CON ->	LED		9	96260060
AVF 18L50-740 RS CL BS 3550 CL2 CON ->	LED		9	96260061
AVF 18L70-740 RS CL BS 3550 CL2 CON ->	LED		9	96260062
AVF 18L35 740 RS CL BS 3550 CL2 N4M ->	LED		9,4	96260063
AVF 18L50 740 RS CL BS 3550 CL2 N4M ->	LED		9,4	96260064
AVF 18L70 740 RS CL BS 3550 CL2 N4M ->	LED		9,4	96260065
AVF 18L70-740 WST CL BS 3550 CL1 CON ->	LED		9,3	96260096
AVF 18L35-740 WST CL BS 3550 CL2 CON ->	LED		9,3	96260097
AVF 18L50-740 WST CL BS 3550 CL2 CON ->	LED		9,3	96260098
AVF 18L70-740 WST CL BS 3550 CL2 CON ->	LED		9,3	96260099
AVF 18L35 740 WST CL BS 3550 CL2 N4M ->	LED		9,7	96260100
AVF 18L50 740 WST CL BS 3550 CL2 N4M ->	LED		9,7	96260101
AVF 18L70 740 WST CL BS 3550 CL2 N4M ->	LED		9,7	96260102
AVF 18L50-740 RS CL BS 3550 CL1 CON ->	LED		9	96260127
AVF 18L35-740 RS CL BS 3550 CL1 CON ->	LED		9	96260128
AVF 18L35-740 WST CL BS 3550 CL1 CON ->	LED		9,3	96260231
AVF 18L50-740 WST CL BS 3550 CL1 CON ->	LED		9,3	96260232
AVF 18L35-730 RS CL BS 3550 CL2 CON ->	LED		9	96265448
AVF 18L50-730 RS CL BS 3550 CL2 CON ->	LED		9	96265449
AVF 18L70-730 RS CL BS 3550 CL2 CON ->	LED		9	96265450
AVF 18L35 730 RS CL BS 3550 CL2 N4M ->	LED		9,4	96265451
AVF 18L50 730 RS CL BS 3550 CL2 N4M ->	LED		9,4	96265452
AVF 18L70 730 RS CL BS 3550 CL2 N4M ->	LED		9,4	96265453
AVF 18L70-730 WST CL BS 3550 CL1 CON ->	LED		9,3	96265454
AVF 18L35-730 WST CL BS 3550 CL2 CON ->	LED		9,3	96265455
AVF 18L50-730 WST CL BS 3550 CL2 CON ->	LED		9,3	96265456
AVF 18L70-730 WST CL BS 3550 CL2 CON ->	LED		9,3	96265457
AVF 18L35 730 WST CL BS 3550 CL2 N4M ->	LED		9,7	96265458
AVF 18L50 730 WST CL BS 3550 CL2 N4M ->	LED		9,7	96265459
AVF 18L70 730 WST CL BS 3550 CL2 N4M ->	LED		9,7	96265460
AVF 18L50-730 RS CL BS 3550 CL1 CON ->	LED		9	96265461
AVF 18L35-730 RS CL BS 3550 CL1 CON ->	LED		9	96265462
AVF 18L35-730 WST CL BS 3550 CL1 CON ->	LED		9,3	96265463
AVF 18L50-730 WST CL BS 3550 CL1 CON ->	LED		9,3	96265464
AVF 18L35-740 RS CL BS 3550 CL1 CON ->	LED		9	96265465
AVF 18L70-730 RS CL BS 3550 CL1 CON ->	LED		9,1	96265443
AVF 18L50-730 RS CL BS 3550 CL1 CON ->	LED		9	96265466
AVF 18L70-730 WST CL BS 3550 CL1 CON ->	LED		9,2	96265445
AVF 18L50-730 RS CL CL2 N4M T60 ANT	LED		9	96672106
AVF 18L35-730 RS CL CL1 CON T60 ANT	LED		9	96672111
AVF 18L50-730 RS CL CL1 CON T60 ANT	LED		9	96672112

## Avenue F2

Description	ILCOS Code	Socket	Wt (kg)	SAP Code
AVF 18L70-730 RS CL CL1 CON T60 ANT	LED		9	96672113
AVF 18L35-730 RS CL CL2 CON T60 ANT	LED		9	96672114
AVF 18L50-730 RS CL CL2 CON T60 ANT	LED		9	96672115
AVF 18L70-730 RS CL CL2 CON T60 ANT	LED		9	96672116
<b>Avenue F2 with conical bowl and frosted crown</b>				
AVF 18L70 740 RS FR BS 3550 CL2 N4M ->	LED		9,4	96270653
AVF 18L50 740 WST FR BS 3550 CL2 N4M ->	LED		9,7	96270655
AVF 18L35 740 RS FR BS 3550 CL2 N4M ->	LED		9,4	96270651
AVF 18L50 740 RS FR BS 3550 CL2 N4M ->	LED		9,4	96270652
AVF 18L70 740 WST FR BS 3550 CL2 N4M ->	LED		9,7	96270656
AVF 18L50 730 RS FR BS 3550 CL2 N4M ->	LED		9,7	96270658
AVF 18L35 730 RS FR BS 3550 CL2 N4M ->	LED		9,7	96270657
AVF 18L70 730 RS FR BS 3550 CL2 N4M ->	LED		9,7	96270659
AVF 18L35 730 WST FR BS 3550 CL2 N4M ->	LED		9,7	96270660
AVF 18L50 730 WST FR BS 3550 CL2 N4M ->	LED		9,7	96270661
AVF 18L70 730 WST FR BS 3550 CL2 N4M	LED		9,7	96270662
AVF 18L35 740 WST FR BS 3550 CL2 N4M ->	LED		9,7	96270654
AVF 18L70 730 RS FR CL2 CON T60 ANT	LED		9	96672104
<b>Avenue F2 with flat enclosure</b>				
AVF F 18L70-730 CST CL2 N4M T60 ANT	LED		7,948	96672107
AVF F 18L70-730 CST CL2 N5M T60 ANT	LED		8,011	96672108
AVF F 18L70-730 CST CL2 N6M T60 ANT	LED		8,074	96672109
AVF F 18L35-730 RSC CL2 CON T60 BK	LED		7,548	96672110
AVF F 18L35-730 RSC CL2 CON T60 ANT	LED		7,548	96672117
AVF F 18L50-730 RSC CL2 CON T60 ANT	LED		7,548	96672118
AVF F 18L70-730 RSC CL2 CON T60 ANT	LED		7,548	96672119
AVF F 18L105-730 RSC CL2 CON T60 ANT	LED		7,57	96672120