

Ethos enerji
İç ve Dış Ticaret Ltd. Şti.

ETHOS

Content.

- Who we are?
- Experience
- What we offer to our partners
- Our brands

Who we are?

As ETHOS Enerji, we are very dynamic and hard-working team consists of 16 people (8 Engineers):

4 engineers are only dedicated to sales activities.

6 technical staffs are operating MV System of POLISAN KANSAI paint company.

3 staffs are at sales support.

3 staffs are at back office.

Who we are?

Ethos Enerji provides wide range solutions for Industrial and Medium Voltage Market with it's hardworking and experienced team.

Our Mission

is setting up long term sustainable business relationships and being reliable partner for our clients.

Experience:

- ❑ 5 years of experience in in **EATON Crouse-Hinds** as an Application and Technical Support Engineer
- ❑ 5 years of Power Transformer Experience (ELTAS)
- ❑ Over 15 years MV Products Experience (Distribution Transformers, MV Cubicles, VCBs, VIs, Cable Connectors...) (ELKO and EATON Electric)
- ❑ Over 12 years LV and Industrial Products Experience (Lighting, UPS, ATS, MCCB, MCB, ACB etc.)
- ❑ 3 years at EATON MV Sales Manager Position
- ❑ We are providing solutions and developing sustainable business relationships with our products to the leading manufacturing and contracting companies on field since 2015



What we offer to our partners?



Full support from the designing step of the Project to the finished product



Process management (Before & After order stage)



Technical Specification Analyse



Choosing of the correct and appropriate product



Technical document and information support



Prompt replies on the tender & offer stages



On-time Delivery

OUR PARTNERSHIPS



BARTEC

ATEX Certified Products



VANTRUNK

Cable Ladder and
Cable Tray



Cable Glands and Cable
Cleats



THORN
LIGHTING

Lighting Fixtures



SCHUCH

ATEX Certified Lighting
Fixtures



TOSHIBA

Medium Voltage
Regulator

CMP PRODUCTS (UK)

- Ex-Proof Cable Glands
- Industrial Cable Glands
- Cable Cleats



Cable Cleats for Electrical Installations

- Metal**
- Polymeric**
- Single / Multicore Application**
- Trefoil Application**
- Quad Application**
- Accessories**
- View All**



BARTEC (Ex-proof Products)

- Terminal Boxes
- Lighting Fixtures
- Control Stations
- Switches
- Plug-in Groups
- Ex-d cast or Ex-de GRP distribution
- Emergency warning devices and flashing beacons

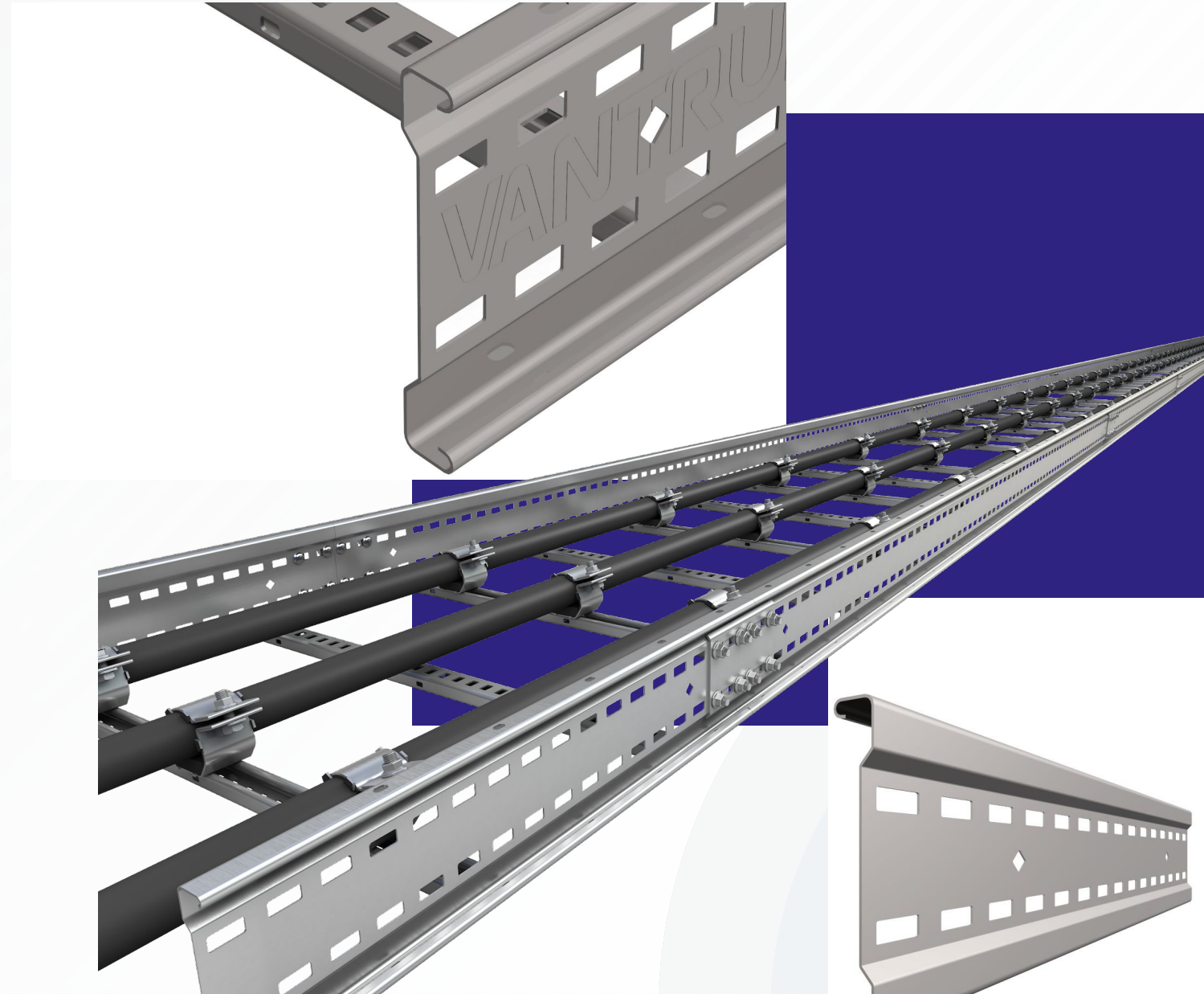


ComEx Control Stations
Zone 1/21 and Zone 2/22
07-351.-10...

BARTEC

VANTRUNK (UK)

- Cable Ladders
- Cable Trays



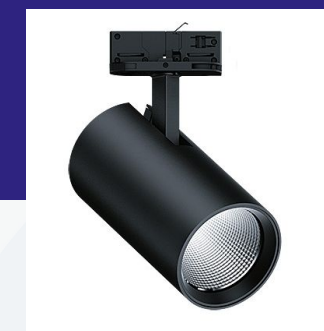
ZUMTOBEL / THORN

- Industrial LED LIGHTING FIXTURES
- Airport Lighting
- Datacenter Lighting
- Factory Lighting
- Commercial Building Lighting
- Lighting calculations



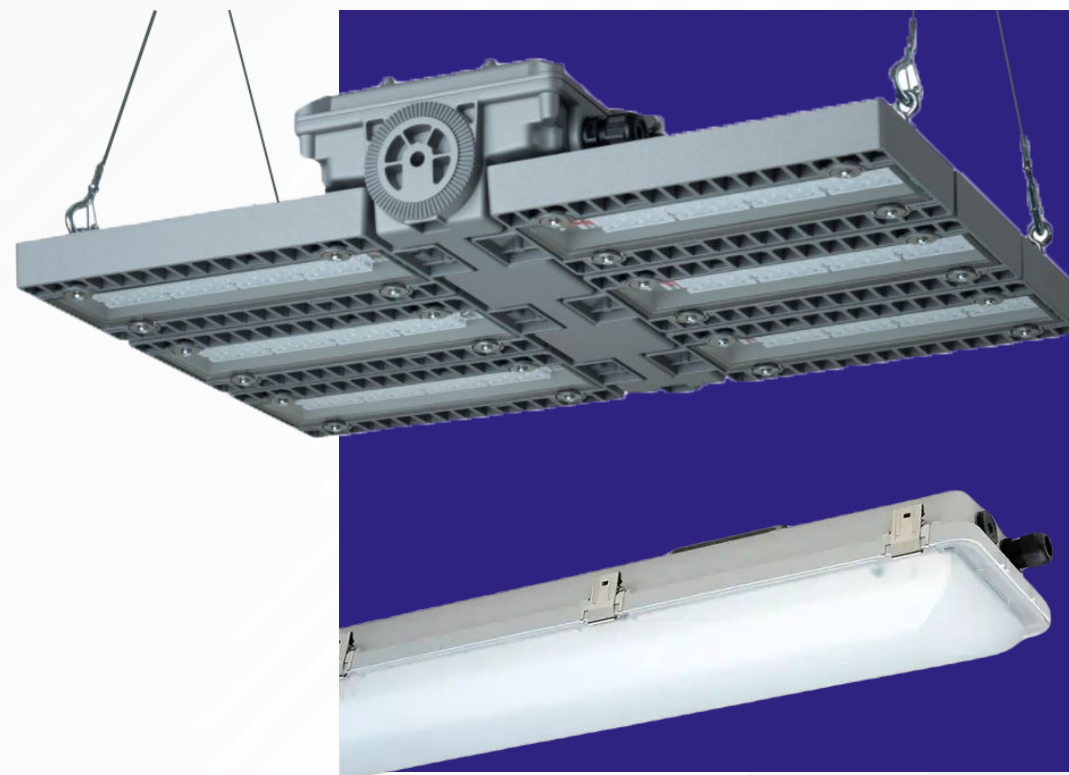
THORN

Lighting people and places



SCHUCH (Germany)

- Exproof LED LIGHTING FIXTURES
- Exproof Floor Lights
- Exproof Emergency LED Lighting
- Lighting calculations



 **SCHUCH**

TOSHIBA

- Step Voltage Regulator up to 25 MVA



TOSHIBA

Ethos enerji
İç ve Dış Ticaret Ltd. Şti.

ETHOS

THANK YOU