

SPARTAN SPX Linear LED Zone 1/21 High Output Linear Luminaire



Modular Design

Key components such as the LED and PSU modules are easily accessible for straightforward maintenance and inspection.



Power and Performance

High lumen output up to 12,260 lm and a range of beam patterns to effectively light up large open areas.



Retrofitable

Linear has been designed with the same dimensions, fixing centres and cable entries as traditional fluorescent fittings making it a direct replacement.



Bespoke LED

Raytec are specialists in LEDs and all our products are designed around LEDs with bespoke housing for optimum performance and reliability.

5 YEAR WARRANTY

All Raytec luminaires are provided with an industry leading 5 year warranty and have an expected useful life in excess of 10 years. See Warranty Statement for details.



Technical Specifications

Certification

ATEX Rating	ATEX UKEX and IEC Ex rated for Gas and Dust
Hazardous Area Rating	Zone 1 (Gas), Zone 21(Dust)
Certificates	CML14ATEX3119 & IECExCML15.0001 & CML21UKEX3105
Gas	II 2 G D Ex eb mb IIC T4 Gb Ta= -40°C to +60°C
Dust	Ex tb IIIC T80°C Db Ta= -40°C to +60°C
ABS Certificate #	ABS Certificate # 20-1990083-PDA

Electrical

	WL84	WL168
Input	Standard: 110-254V AC/DC	Standard: 110-254V AC/DC
Power	48W	98W
Termination	Incoming terminal block suitable for looping 4 core 4mm ² cable (6mm ² available - POA)	
Power Factor	>0.95	>0.95
Cable Entries	2xM20 cable entries at both ends, through wired as standard (other entries available upon request), dispatched complete with three ATEX/IEC Ex/UKEX approved blanking plugs	

Optical

	WL84	WL168
Lumen output on mains	6130	12260
LED type	Platinum Elite SMT LEDs	Platinum Elite SMT LEDs
Number of LEDs	80	160
CRI	80+	80+
Colour Temperature	6500K standard	6500K standard

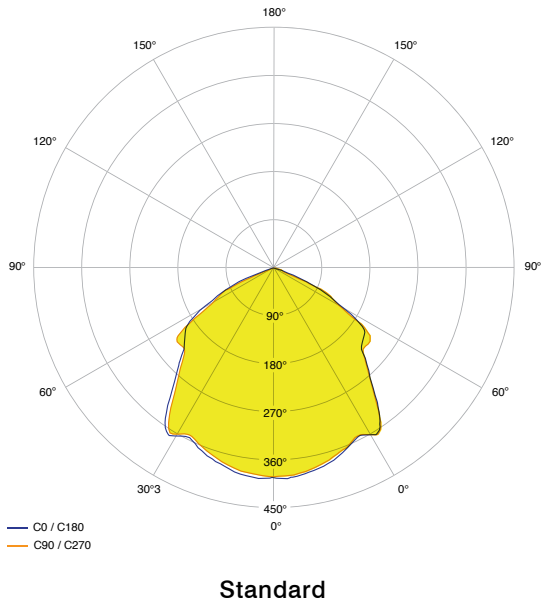
Mechanical

	WL84	WL168
Burning Position	Universal	Universal
IP Rating	IP66 & IP67	IP66 & IP67
IK Rating	IK10	IK10
Temperature Range	-40°C to +60°C	-40°C to +60°C
Weight	6kg (13.2lbs)	10kg (22lbs)

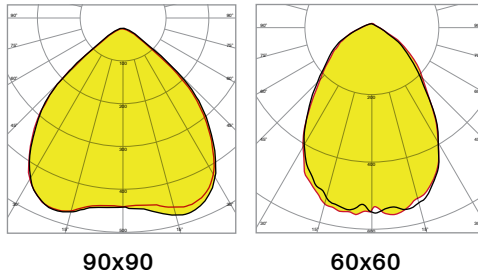
Technical Specifications

Mechanical	WL84	WL168
Enclosure	Marine grade aluminium epoxy powder coated, UV stabilised polycarbonate, all external fasteners and brackets are marine grade stainless steel	
Unit Colour	Silver (RAL 9006)	Silver (RAL 9006)
Installation instructions	Please see document 0920-D-00042 at www.rayteclcd.com	
Dimensions	See dimensional sketches	
Mounting	Via M8/M6 tapped holes. Various mounting arrangements available (please see product overview guide)	

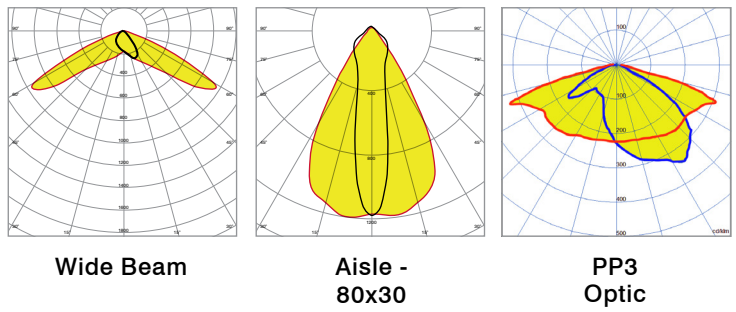
Light Distribution



Symmetrical Optics

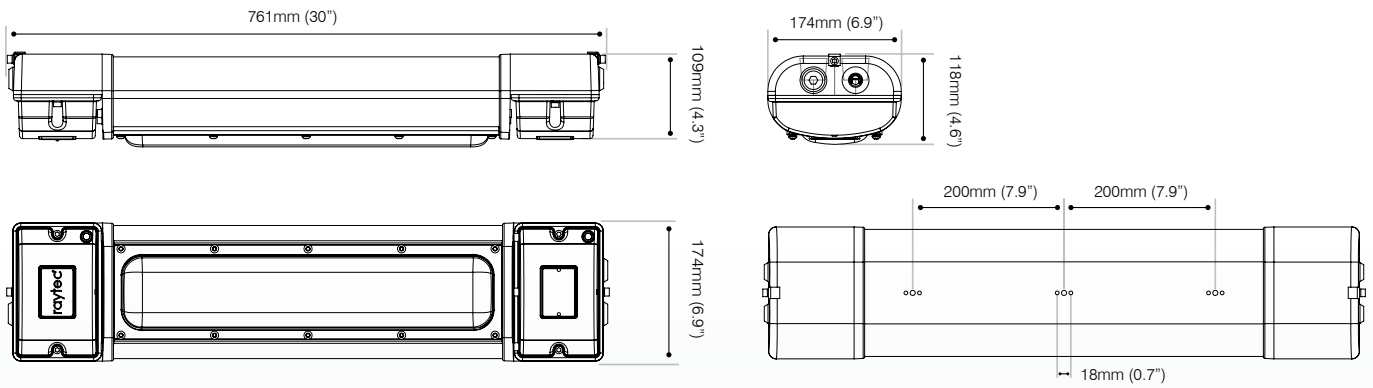


Asymmetrical Optics

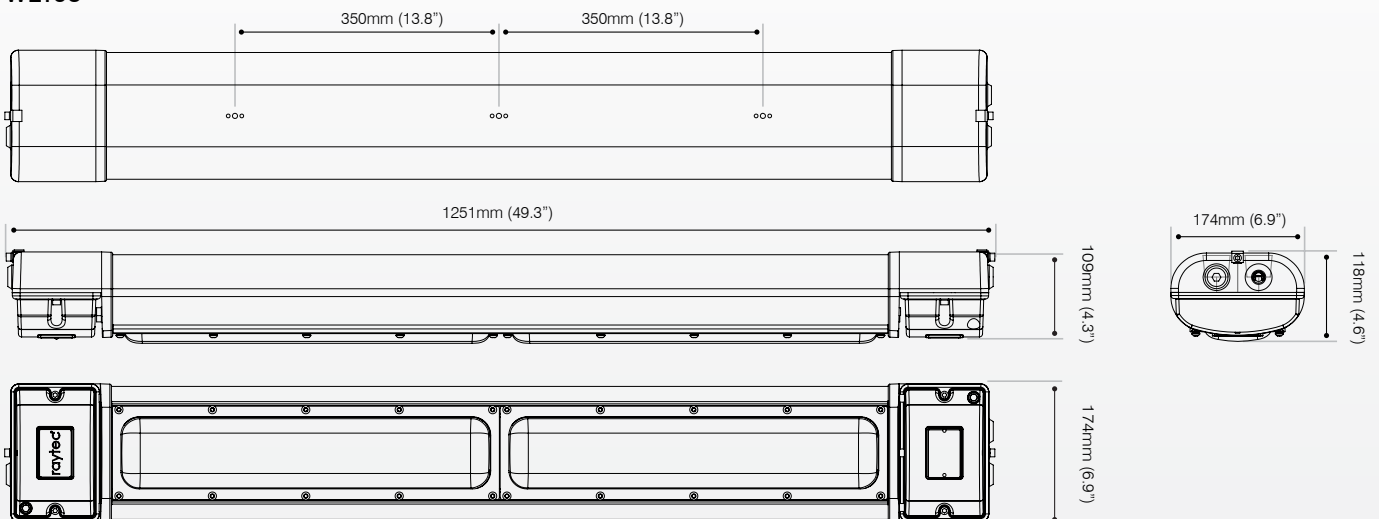


Product Dimensions

WL84



WL168



Part Code Builder

SPARTAN High Output Linear Zone 1

Standard: Example - SPX-WL84-HO

Family	Model	CCT	Power	Optics	Entry
SPX	WL84-HO	Not Stated - 6500K	Not Stated - 110-254Vac	Not Stated - Standard	Not Stated - M20
	WL168-HO	4K - 4000K		Other optics available - please contact Raytec	M25

*Alternative versions available. Please contact Raytec for details.

SPARTAN Linear Specials



Wildlife-Friendly Variants

- Amber LED technology designed to protect wildlife in coastal locations or nature reserves.
- Dominant wavelength: 600nm

Example ordering code: SPX-WL168-HO-4K-A

Other options available, contact Raytec for full ordering information



See SPARTAN Linear Mounting & Accessories Guide for full range of accessories