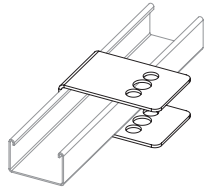


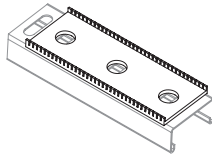
ACCESSORIES

C-clamp



For use with un-slotted rungs.

Separation Pad



Prevent galvanic corrosion between two dissimilar metals.

Contact **CMP** for more information regarding accessories and substrates.

PPE



CAUTION: We strongly recommend wearing suitable PPE including anti cut gloves.

Please refer to local PPE regulations.

www.cmp-products.com

Tel: +44 (0) 191 265 7411

Fax: +44 (0) 1670 715 646

E-mail: customerservices@cmp-products.com

Cable Cleat Specification

Name	Type	Material	Certification	Size Range	Temp Range	Liner Type	Bolt(s)*
PATRIOT	SDSS	Stainless Steel	IEC 61914	17 - 128mm in 24 sizes Trefoil Formation	-50°C to +60°C	Low Smoke & Fume (LSF) Zero Halogen (LSOH) & Phosphorus Free Polymer	2 x Outer M10 or 1 x Central M10
SOVEREIGN	HDSS	Stainless Steel					2 x Outer M10 or 1 x Central M12
HURON	LDAL	Aluminium		19 - 128mm in 23 sizes Trefoil Formation			2 x Outer M10 or 1 x Central M10
RELIANCE	SDAL	Aluminium		19 - 150mm in 13 sizes Single / Parallel Formation			2 x Outer M10 or 1 x Central M12
SAPPHIRE	SHDSS	Stainless Steel					

All products are short-circuit tested. Please visit www.cmp-products.com for further details.

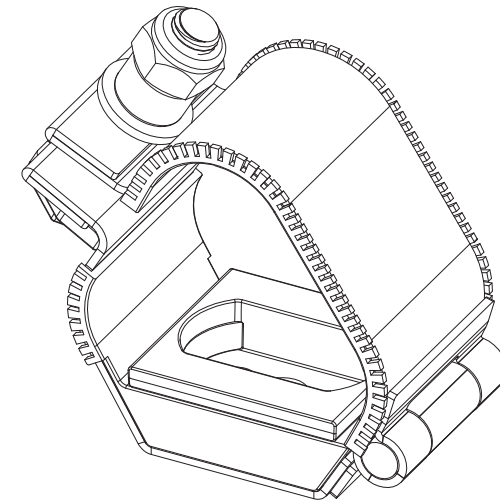
Note: Fixings not included. For more information on fixings please visit www.cmp-products.com and download the Cleat Fixing Pack data sheet. Any other queries please contact CMP via email customerservices@cmp-products.com.

There are no restrictions on the mounting orientation of the cleats.

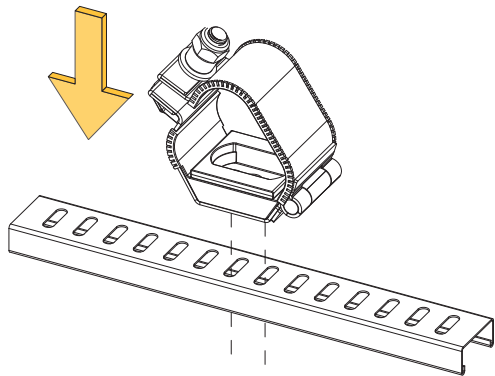
* The number of bolts used is based on individual site specification.

HINGED CABLE CLEATS

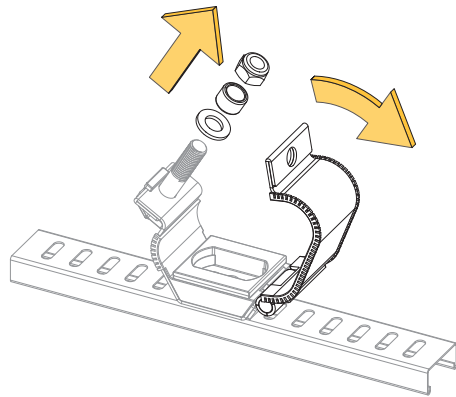
PATRIOT SDSS
HURON LDAL
RELIANCE SDAL
SOVEREIGN HDSS
SAPPHIRE SHDSS



CLEAT FITTING INSTRUCTIONS

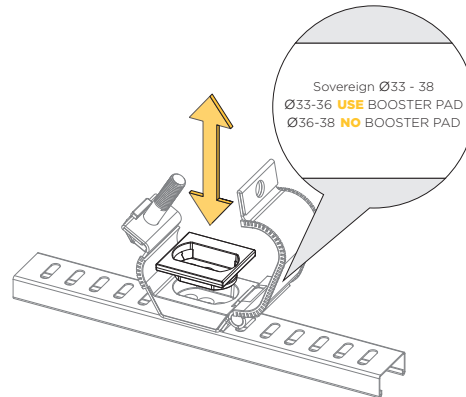


1. PLACE CLEAT ON MOUNT SURFACE

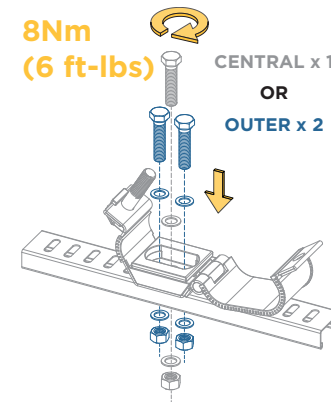


• Use nut spacer where applicable

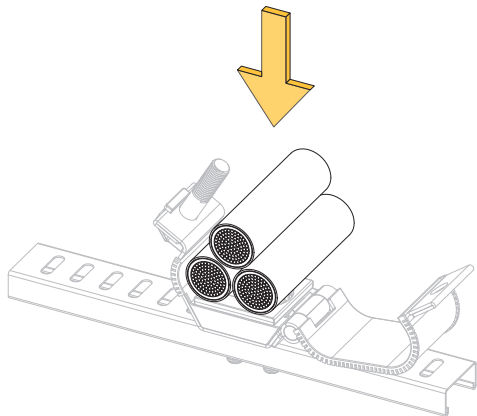
2. UNHINGE CLEAT ARM



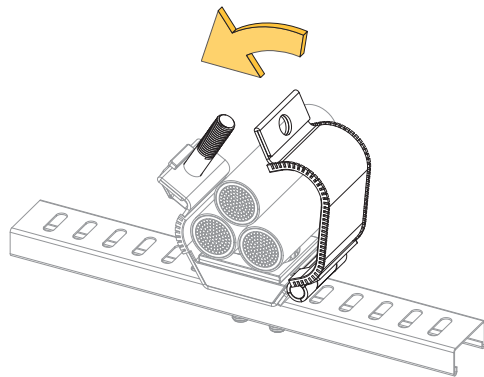
3. INSERT BOOSTER PAD AS REQUIRED



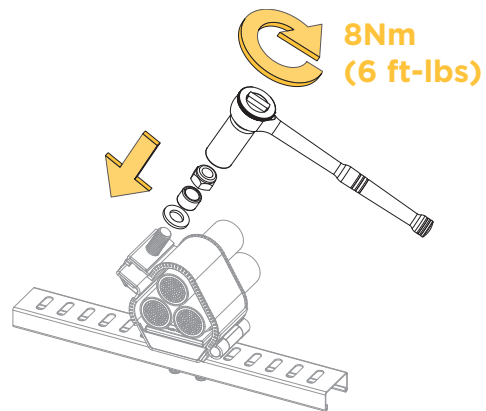
4. SECURE CLEAT TO MOUNT SURFACE



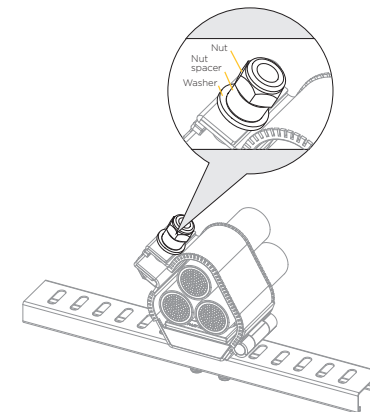
5. LAY CABLES IN CLEAT



6. CLOSE CLEAT ARM



7. TIGHTEN MOUTH BOLT NUT



8. INSTALLED CLEAT