



- The right size/material enclosure
- Optimum functionality thanks to the great variety of components
- Customised planning and implementation
- Certified to many standards

BARTEC produces local control stations for use in areas with flammable gases and dusts. Depending on the application area, the control stations are designed with the type of protection "Increased safety" or "Protection by enclosure". The explosion-protected local control stations are available in aluminium, polyester or stainless steel. When selecting the version, you can choose between a cabinet with door and an enclosure with screw cover. Control, signalling and display devices and remote I/O systems are installed according to customer specifications. The installation of industrial standard equipment in controls for Zone 21, type of protection tb "Protection by enclosure" is possible. The control elements can also be mounted on a mounting rail or in the front wall. Free installation areas can be designated for the subsequent installation of BARTEC control and signalling devices, which are then sealed using blanking plugs. All explosion-protected local control stations are supplied prewired on terminals

**Fields of application**

Chemical and petrochemical industry, process and plant engineering, pharmaceutical and food industry, OFF SHORE areas.

**Explosion protection**

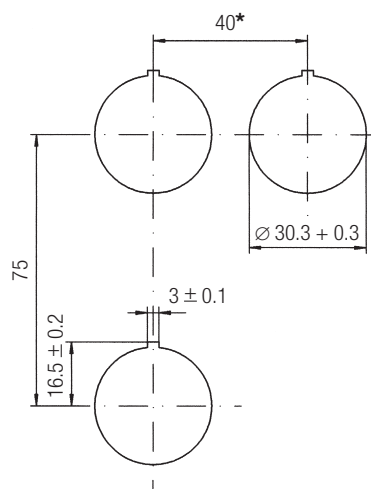
Marking (depending on the components installed)	
for Zone 1 (Typ 07-31**)	Ⓜ II 2 G Ex db eb ma/mb op is q ia/ib [ib] IIA, IIB, IIC, T6, T5, T4, T3 Gb Ⓜ II 2(1) G Ex db eb ma/mb op is q ia/ib [ja Ga] IIA, IIB, IIC, T6, T5, T4, T3 Gb
for Zone 21 (Typ 07-3S**)	Ⓜ II 2 D Ex tb op is [ib] IIIA, IIIB, IIIC T80 °C, T100 °C, 130 °C Db Ⓜ II 2(1) D Ex tb op is [ja Da] IIIA, IIIB, IIIC T80 °C, T100 °C, 130 °C Db
Ambient temperature (special design on request)	-20 °C to +40 °C -55 °C max. +80 °C (depending on fixtures)
Certification	IBExU 12 ATEX 1099X IECEx IBE 12.0031X

**Technical data**

Material	Type 07-3.01 with lid aluminium ALSi 12, pressure or chill casting RAL 7001 silver grey
	Type 07-3.03 with lid glass-fibre reinforced polyester RAL 9005, deep black
	Type 07-3.09 mit door glass-fibre reinforced polyester RAL 9011, graphite black
	Type 07-3.13 with door High-quality stainless steel 1.4301 (304)
	Type 07-3.32 with lid High-quality stainless steel 1.4404 (316L) Enclosure with lid
	Type 07-3.36 with door High-quality stainless steel 1.4404 (316L)
Seals	EPDM (Standard) -20 °C to +85 °C
	PU (Standard at 07-3109) -20 °C to +80 °C
	Silicone -55 °C to +100 °C
Mechanical strength (acc. to DIN EN 60079-0)	Impact energy 7 Nm
Protection class (higher degree of protection on request)	EN/IEC 60529 max. IP 66
<b>Electrical data</b>	
Rated voltage	up to 1000 V
Rated curent	max. 160 A depending on devices fitted

**Mounting dimensions**

for switching and light elements according to EN 60947-5-1



\* Recommended distance for mushroom pushbutton, emergency switch as well as position selector with protective shroud: 100 mm.

2

**Configuration data for control stations**

Type of enclosure	07-3 <input type="checkbox"/> <input type="checkbox"/> <input type="checkbox"/> -
Dimensions	Width _____ Height _____ Depth _____
Nominal voltage	AC _____ V DC _____ V
Threaded glands	_____

Technical data subject to change without notice.