



Installation: hazardous areas - Zone 1 / 2 (Gases)
Zone 21 / 22 (Dusts)

Classification: Group II - Category 2G 2D



REFERENCE STANDARDS

Directive 2014/34/EU	
EXECUTION	⊗ II 2 G Ex d IIB + H2 T6...T4 Gb or ⊗ II 2 G Ex de IIB + H2 T6...T4 Gb ⊗ II 2 D Ex tb IIIC T85°C...T135°C Db
RULES OF COMPLIANCE	EN/IEC 60079-0; EN/IEC 60079-1; EN/IEC 60079-7; EN/IEC 60079-31
EC Type-Examination Certificate	INERIS 01 ATEX 0018
PROTECTION DEGREE	IP66
AMBIENT TEMPERATURE	-20°C ÷ +60°C
OTHER AVAILABLE CERTIFICATES	IECEX: IECEX INE 15.0003X INMETRO: CEPEL 15.2363X EAC: TC RU C-IT.BH02.B.00602 (-60°C ÷ +60°C) RINA: ELE18111CS_014 RUSSIAN MARINE CERTIFICATE (RMRS): 19.02519.280

Mechanical characteristics

Body	marine grade copper free aluminium
Diffuser	tempered front glass
Support	adjustable type hot dip galvanized steel
Painting	external epoxy powders grey RAL-9006 COLOUR
Screws	external stainless steel
Gaskets	silicon rubber
Cable entry	3/4"NPT (Ex d version) / ISO-M25 (Ex de version)

Electrical characteristics

Power supply	100 - 277Vac electronic driver 50/60 Hz 141 - 273Vdc electronic driver with NTC thermal sensor on PCB
Input surge protection	DM 6KV, CM 10KV
Lamp type	LUXEON 5050 / LUMILEDS CRI 70, CCT 5700K. Lifetime: 60.000 hours L80 B20 @ta60
Inrush current	SFDL/SFDEL 40 : 81,5A -220Vac for 0.848ms SFDL/SFDEL 48 : 73,5A -220Vac for 1.340ms SFDL/SFDEL 56 : 73,5A -220Vac for 1.340ms
Internal wiring	high-temperature resistant silicon rubber insulation cables
Terminals	suitable up to 2.5sq/mm cables
Optic	with symmetrical lens vertex at 65deg



On Request Accessories:

- External painting colour on request
- Threaded cable entry different than standard

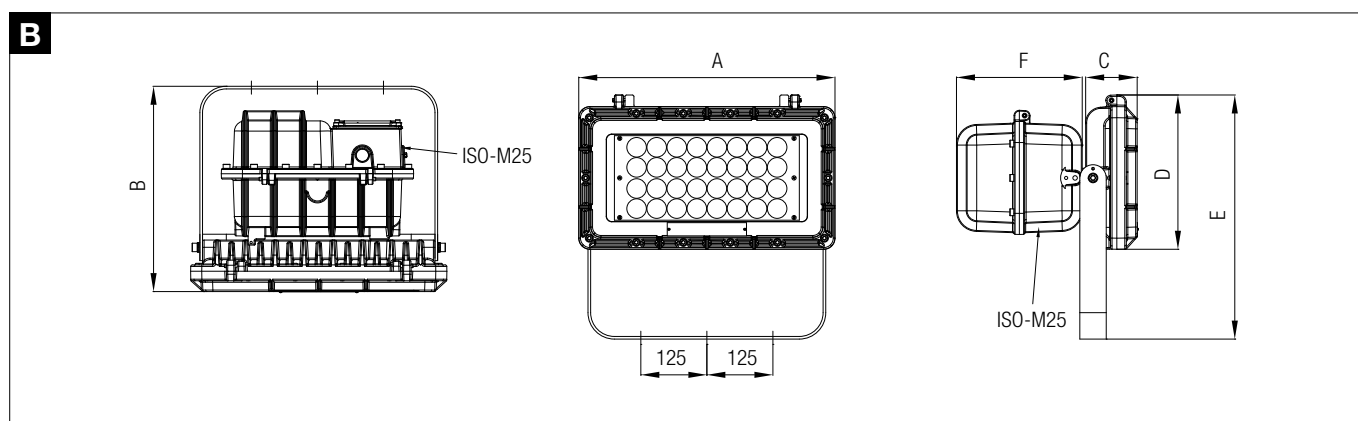
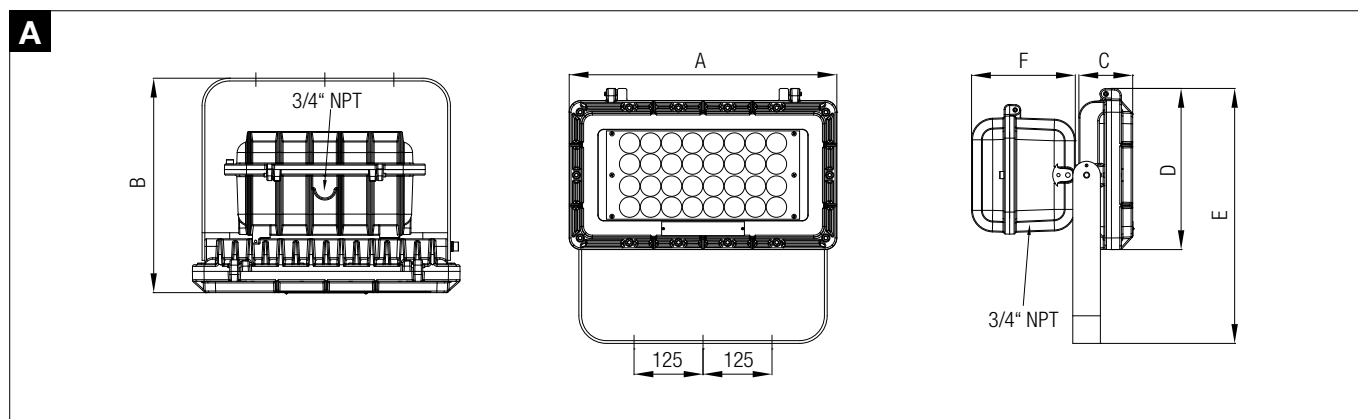
Technical data

CODE	NOM. POWER PCB LED	TEMPERATURE CLASS (GAS)	TEMPERATURE CLASS (DUSTS)	NOMINAL OUTPUT (lm)	EFFICIENCY (lm/W)	TOTAL POWER	CABLE ENTRY SIZE	DETAIL
FLOODLIGHTS FOR LED LAMP - POWER SUPPLY 100-277 Vac - 50/60 Hz								
SFDL-040 LED	168 W	T6 (Ta = -20°C / +40°C)	T 85°C	19020	106.30	179 W	1 x 3/4" NPT	A
SFDEL-040 LED		T6 (Ta = -20°C / +48°C)	T 85°C				2 x ISO-M25	B
SFDL-048 LED	202 W	T5 (Ta = -20°C / +40°C)	T 100°C	22640	107.80	210 W	1 x 3/4" NPT	A
SFDEL-048 LED		T5 (Ta = -20°C / +50°C)	T 100°C				2 x ISO-M25	B
SFDL-056 LED	235 W	T5 (Ta = -20°C / +40°C)	T 100°C	26410	107.80	245 W	1 x 3/4" NPT	A
SFDEL-056 LED		T5 (Ta = -20°C / +50°C)	T 100°C				2 x ISO-M25	B
		T4 (Ta = -20°C / +60°C)	T 135°C					

Technical features

CODE	A [mm]	B [mm]	C [mm]	D [mm]	E [mm]	F [mm]	WEIGHT [Kg]	CABLE ENTRY	DETAIL
SFDL-040 LED SFDL-048 LED SFDL-056 LED	485	390	100	292	462	190	25,00	1 x 3/4" NPT	A
SFDEL-040 LED SFDEL-048 LED SFDEL-056 LED	485	390	100	292	462	240	26,00	2 x ISO-M25	B

Reference details



REMARK:

Due to the development of the national and international specifications and of the technology, the above technical characteristics showed on this bulletin can be considered as binding on our confirmation only.